



**CONCEALED
WIDESPREAD
BP-2995**

US Patent # 7,472,434

**Installation and
Maintenance
Instructions**

**Limited One Year Warranty
(Commercial Applications)**

T&S warrants to the original purchaser (other than for purposes of resale) that such product is free from defects in material and workmanship for a period of one (1) year from the date of purchase. During this one-year warranty period, if the product is found to be defective, T&S shall, at its options, repair and/or replace it. To obtain warranty service, products must be returned to...

T&S Brass and Bronze Works, Inc.
Attn: Warranty Repair Department
2 Saddleback Cove
Travelers Rest, SC 29690

Shipping, freight, insurance, and other transportation charges of the product to T&S and the return of repaired or replaced product to the purchaser are the responsibility of the purchaser. Repair and/or replacement shall be made within a reasonable time after receipt by T&S of the returned product. This warranty does not cover items which have received secondary finishing or have been altered or modified after purchase, or for defects caused by physical abuse to or misuse of the product, or shipment of the products.

Any express warranty not provided herein, and any remedy for Breach of Contract which might arise, is hereby excluded and disclaimed. Any implied warranties of merchantability or fitness for a particular purpose are limited to one year in duration. Under no circumstances shall T&S be liable for loss of use or any special consequential costs, expenses or damages.

Some states do not allow limitations on how long an implied warranty lasts or the exclusion or limitation of incidental or consequential damages, so the above limitations or exclusions may not apply to you. Specific rights under this warranty and other rights vary from state to state.

⚠ Attention California Residents:

WARNING This product can expose you to chemicals including Lead, Chromium (hexavalent compounds) and Phthalates (DEHP) which are known to the State of California to cause cancer and birth defects or other reproductive harm.

For more information go to
www.P65Warnings.ca.gov.

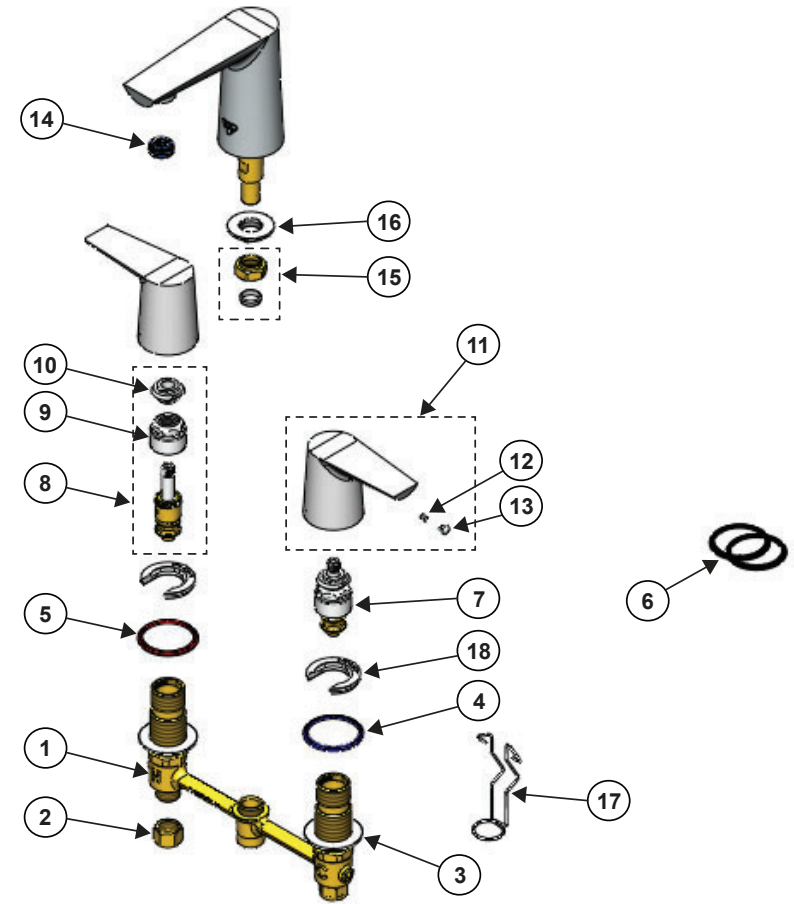
P/N: 098-020634-45 Rev.0

DATE: 08-30-2021

DRAWN: TED

CHECKED: JRM 03-05-22

APPROVED: JHB 03-17-22



Parts List

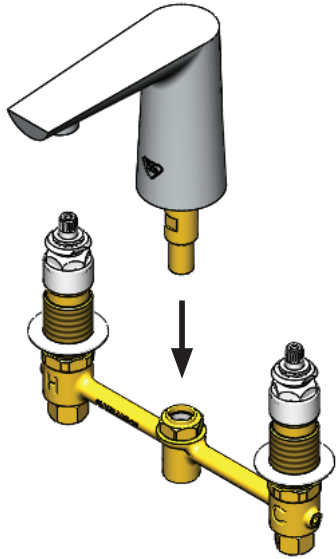
Concealed Widespread Faucet

1	Base Faucet Assembly	N/A
2	Coupling Nut	000958-20
3	Side Flange Nut	N/A
4	Index Ring, Blue	020523-45
5	Index Ring, Red	020522-45
6	Index Rings, Black (qty. 2)	020524-45
7	Asm, QT Cerama Catridge w/ Check Valve, LTC	016768-25NS
8	Asm, QT Cerama Catridge w/ Check Valve, RTC	016767-25NS
9	CWS Eterna Bonnet	016743-25
10	Packing Assembly	009002-40NS
11	Widespread Handle Kit	020521-40
12	Set Screw	016675-45
13	Chrome Blank Index	020570-45
14	VR 0.5 GPM Hidden Spray Device, M21.5x1	B-0199-M21-V05
15	Compression Nut and Fitting	016745-45
<i>Installation Repair Kit (includes items #16, 17, 18)</i>		020631-40
16	Center Flange Nut	016742-45
17	CWS Hanger	016777-45
18	Sidebody C-Washer (qty. 2)	020526-45

Before starting the installation, be sure to flush supply lines and shut off water supply.

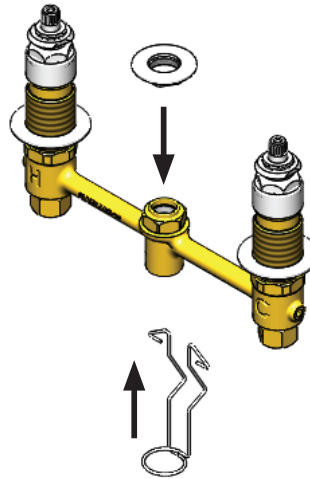
Step 1:

Take center shank out of body.



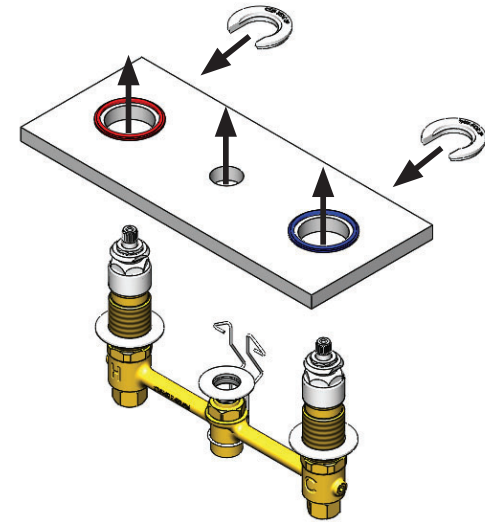
Step 2:

Place hanger on body. Add center flange nut to top of compression nut.



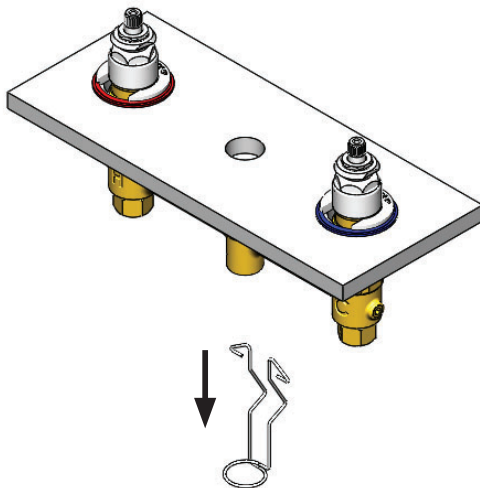
Step 3:

Place indexes around each hole with groove facing up. Insert body into deck holes until hanger snaps to top of counter. Place C-washers under edge of each side body and push down to snap C-washer to index.



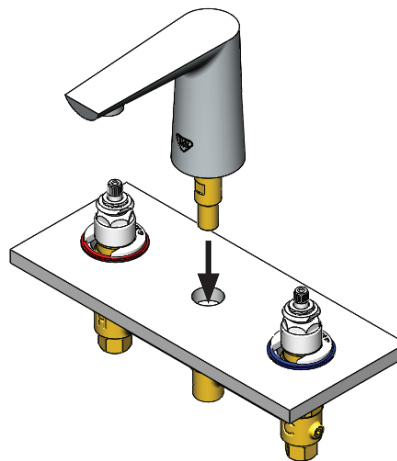
Step 4:

Squeeze hanger loops and allow hanger to fall through hole.



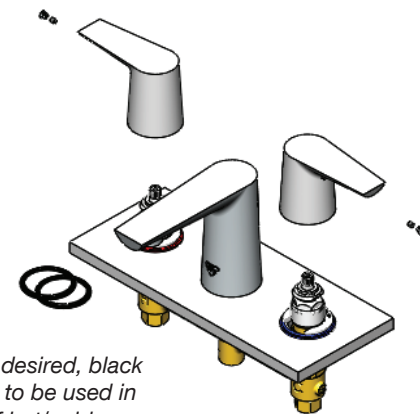
Step 5:

Place center body through center hole into main body. Tighten three flange nuts. Tighten compression nut to seal center body.



Step 6:

Add handles as shown. Tighten set screw and cover hole with chrome buttons. Turn on water supply and check for leaks.



Note: If desired, black indexes to be used in place of hot/cold.