



# T&S BRASS AND BRONZE WORKS, INC.

2 Saddleback Cove / P.O. Box 1088  
Travelers Rest, SC 29690

Model No.

**B-2338**

Item No.

Travelers Rest, SC: 800-476-4103 • Simi Valley, CA: 800-423-0150 • Fax: 864-834-3518 • www.tsbrass.com

This Space for Architect/Engineer Approval

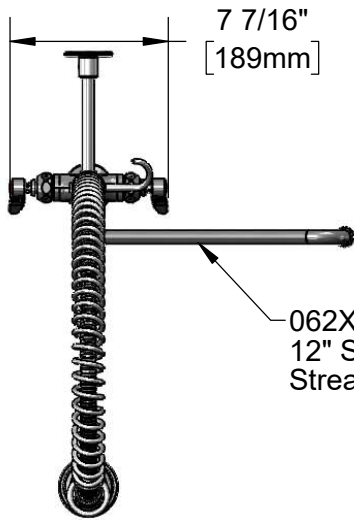
Job Name \_\_\_\_\_ Date \_\_\_\_\_

Model Specified \_\_\_\_\_ Quantity \_\_\_\_\_

Customer/Wholesaler \_\_\_\_\_

Contractor \_\_\_\_\_

Architect/Engineer \_\_\_\_\_



062X  
12" Swing Nozzle w/  
Stream Regulator Outlet

44" Flexible Stainless  
Steel Hose w/ Spring  
& Spray Valve

Items Not Shown  
for Clarity

Finger Hook

B-0107  
1.15 GPM  
Spray Valve

B-0109-01  
6" Wall  
Bracket

3/8" NPT x  
18" Riser

12"  
[305mm]

14 3/4"  
[375mm]

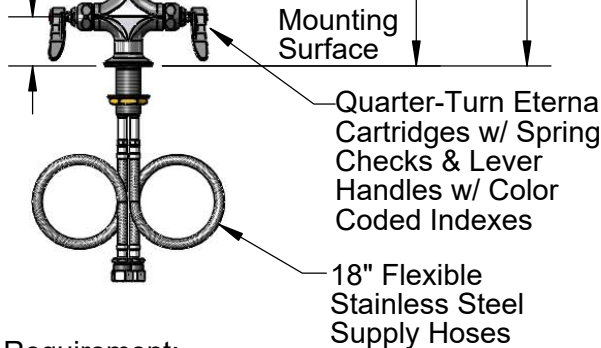
40 1/4"  
[1023mm]

2 5/16"  
[58mm]

11 5/8"  
[295mm]

10 11/16"  
[272mm]

14 1/16"  
[357mm]



Mounting  
Surface

Quarter-Turn Eterna  
Cartridges w/ Spring  
Checks & Lever  
Handles w/ Color  
Coded Indexes

EasyInstall Add-On  
Faucet w/ Quarter-  
Turn Eterna Cartridge  
& Lever Handle

1 3/8"  
[35mm]  
Maximum  
Thickness

Compression Fittings for  
5/8" O.D. Copper Tubing  
(Remove Compression Nut  
for 1/2" NPSM Male)

Rough-In Requirement:  
Ø 1 1/2" [38mm] Mounting Hole

**Product Specifications:**

Pre-Rinse Unit: Single Hole Deck Mount Mixing Faucet, Quarter-Turn Eterna Cartridges w/ Spring Checks, Lever Handles, Add-On Faucet, 12" Swing Nozzle w/ Stream Regulator Outlet, 44" Flexible Stainless Steel Hose, 1.15 GPM Spray Valve, 6" Wall Bracket & 18" Flexible Stainless Steel Supply Hoses w/ 1/2" NPSM Male Inlets

**Product Compliance:**

ASME A112.18.1 / CSA B125.1  
NSF 61 - Section 9  
NSF 372 (Low Lead Content)  
2019 DOE PRSV - Class II



# T&S BRASS AND BRONZE WORKS, INC.

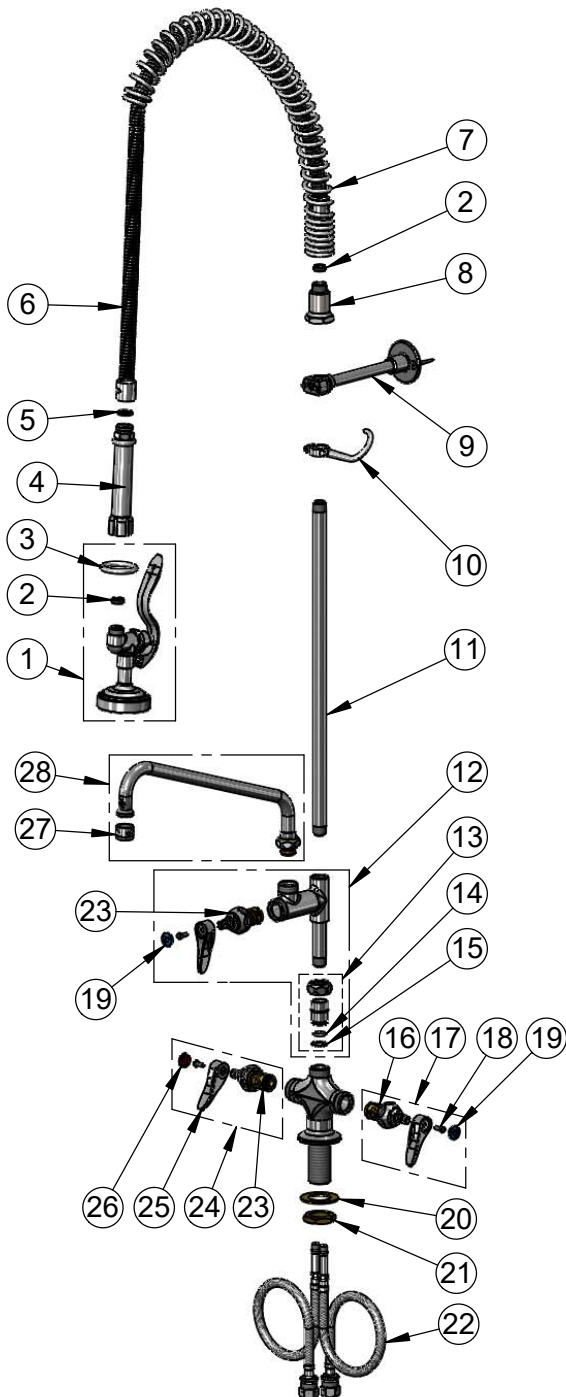
2 Saddleback Cove / P.O. Box 1088  
Travelers Rest, SC 29690

Model No.

**B-2338**

Item No.

Travelers Rest, SC: 800-476-4103 • Simi Valley, CA: 800-423-0150 • Fax: 864-834-3518 • www.tsbrass.com



ITEM NO.	SALES NO.	DESCRIPTION
1	B-0107	1.15 GPM Spray Valve
2	010476-45	#27 Washer
3	000907-45	Spray Valve Hold Down Ring
4	002987-40	Grip Handle
5	001014-45	Washer, B-0100 Hose Barrel
6	B-0044-H2A	44" Flexible Stainless Steel Hose, Less Handle
7	000888-45	EasyInstall Overhead Spring
8	000821-40	Spring Body
9	B-0109-01	6" Wall Bracket
10	004R	Finger Hook
11	000369-40	3/8" NPT x 18" Riser
12	B-0155-LNEZ	EasyInstall Add-On Faucet w/ Quarter-Turn Eterna Cartridge, RTC & Lever Handle, Less Nozzle
13	EZ-K	EasyInstall Kit
14	001065-45	O-Ring
15	014200-45	Star Washer, Anti-Rotation
16	012442-40NS	Quarter-Turn Eterna Cartridge w/ Spring Check, LTC
17	002711-40NS	Quarter-Turn Eterna Cartridge w/ Spring Check, Handle, Blue Index & Screw, LTC
18	000925-45	Lab Handle Screw
19	018506-19NS	Blue Button Index, Press-in
20	002290-45	Lock Washer
21	000965-45	Lock Nut
22	012534-45	18" Flexible Supply Hoses (2)
23	012443-40NS	Quarter-Turn Eterna Cartridge w/ Spring Check, RTC
24	002712-40NS	Quarter-Turn Eterna Cartridge w/ Spring Check, Handle, Red Index & Screw, RTC
25	001638-45NS	Lever Handle (New Style)
26	001193-19NS	Red Button Index, Press-in
27	B-PT	Full Flow Stream Regulator, 55/64-27
28	062X	12" Swing Nozzle

**Product Specifications:**

Pre-Rinse Unit: Single Hole Deck Mount Mixing Faucet, Quarter-Turn Eterna Cartridges w/ Spring Checks, Lever Handles, Add-On Faucet, 12" Swing Nozzle w/ Stream Regulator Outlet, 44" Flexible Stainless Steel Hose, 1.15 GPM Spray Valve, 6" Wall Bracket & 18" Flexible Stainless Steel Supply Hoses w/ 1/2" NPSM Male Inlets

**Product Compliance:**

ASME A112.18.1 / CSA B125.1  
NSF 61 - Section 9  
NSF 372 (Low Lead Content)  
2019 DOE PRSV - Class II