



Architect/Engineering Specifications:

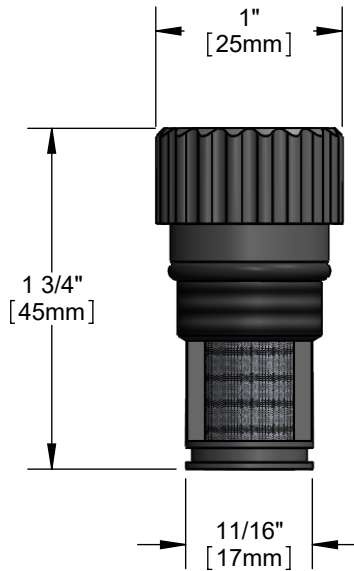
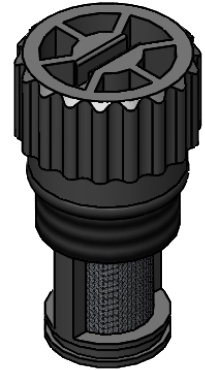
equip replacement control module filter with M20 x 1.5 male thread. Certified to NSF 61-Section 9 and NSF 372.

Job Name _____

Model Specified _____ Quantity _____

Variations Specified _____

Date _____



Features & Benefits:

- equip replacement control module filter
- M20 x 1.5 male thread.
- Material: Plastic

Product Compliance:

- NSF 61 - Section 9
- NSF 372 (Low Lead Content)

Warranty: One Year (Limited)

Performance Data:

- N/A

