



Concealed Mixing Faucets

B-0512-0101

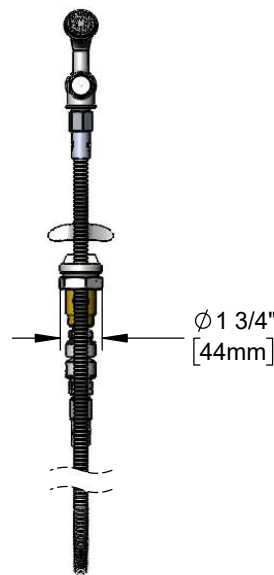
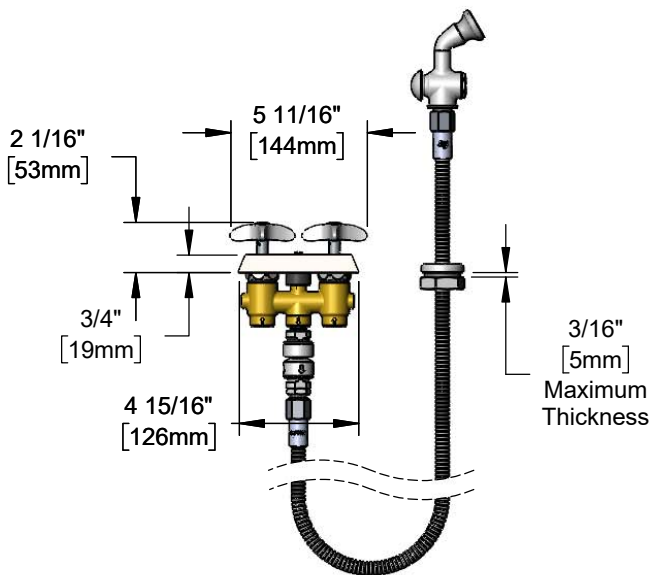
TAG:

Concealed Mixing Faucet with Spray Valve

Architect/Engineering Specifications:

3" concealed mixing faucet, compression cartridges with spring checks, 4-arm handles, 3/8" NPT female inlets and outlet, chrome plated escutcheon, vacuum breaker, protective flange, 72" flexible stainless steel hose and spray valve with 2.2 GPM rosespray outlet with multi-laminar (non-aerated) spray pattern. Certified to ASME A112.18.1/CSA B125.1, NSF 61-Section 9 and NSF 372.

Job Name _____
 Model Specified _____ Quantity _____
 Variations Specified _____
 Date _____



Features & Benefits:

- 3" concealed mixing faucet
- Quarter-turn Eterna compression cartridges w/ spring checks to prevent cross flow of water
- 4-arm handles w/ color coded indexes
- 3/8" NPT female inlets
- 3/8" NPT female outlet
- Vacuum breaker
- Protective flange
- 72" flexible stainless steel hose
- Spray valve w/ 2.2 GPM rosespray outlet w/ multi-laminar (non-aerated) spray pattern
- Chrome plated escutcheon
- Material: Brass body, chrome plated brass escutcheon & spray valve body, stainless steel hose and chrome plated metal handles

Optional Handles

- 4" Wrist Action
- Lever
- 4-Arm (Standard)

Product Compliance:

- ASME A112.18.1 / CSA B125.1
- NSF 61 - Section 9
- NSF 372 (Low Lead Content)
- CSA B64.8 (VB)

Warranty: One Year (Limited)

Performance Data:

- Pressure: 20 - 125 psi [1.38 - 8.62 bar]
- Temperature: 40 °F - 140 °F [4.44 °C - 60 °C]
- Flow Rate: 2.2 GPM [8.33 L/min] @ 60 psi [4.14 bar]



T&S BRASS AND BRONZE WORKS, INC.



• 2 Saddleback Cove • Travelers Rest, SC 29690
 Ph 800-476-4103 • Fax 864-834-3518
 • Simi Valley, CA • Ph 800-423-0150 • www.tsbrass.com

Date: 07/20/21