



T&S BRASS AND BRONZE WORKS, INC.

2 Saddleback Cove / P.O. Box 1088
Travelers Rest, SC 29690

Model No.

B-2301

Item No.

Travelers Rest, SC: 800-476-4103 • Simi Valley, CA: 800-423-0150 • Fax: 864-834-3518 • www.tsbrass.com



ADA Compliant

This Space for Architect/Engineer Approval

Job Name _____ Date _____

Model Specified _____ Quantity _____

Customer/Wholesaler _____

Contractor _____

Architect/Engineer _____



B-0969
1/2" NPT
Vacuum Breaker

3/4" Garden Hose
Male Outlet



1 1/2"
[38mm]

4 5/16"
[109mm]

2 3/8"
[61mm]

2 9/16"
[66mm]

Quarter-Turn Eterna Cartridge
w/ Spring Check &
4-Arm Handle w/
Blue Color Coded Index

Mounting Surface

Ø 2" [51mm]
Flange w/
1/2" NPT
Female Inlet

Product Specifications:

Single Hole Single Temperature Wall Mount Sill Faucet, Quarter-Turn Eterna Cartridge w/ Spring Check, 4-Arm Handle, 1/2" NPT Vacuum Breaker, 3/4" Garden Hose Male Outlet & 1/2" NPT Female Inlet

Product Compliance:

ASME A112.18.1 / CSA B125.1
NSF 61 - Section 9
NSF 372 (Low Lead Content)
ANSI A117.1 (ADA)
ASSE 1001 (VB)

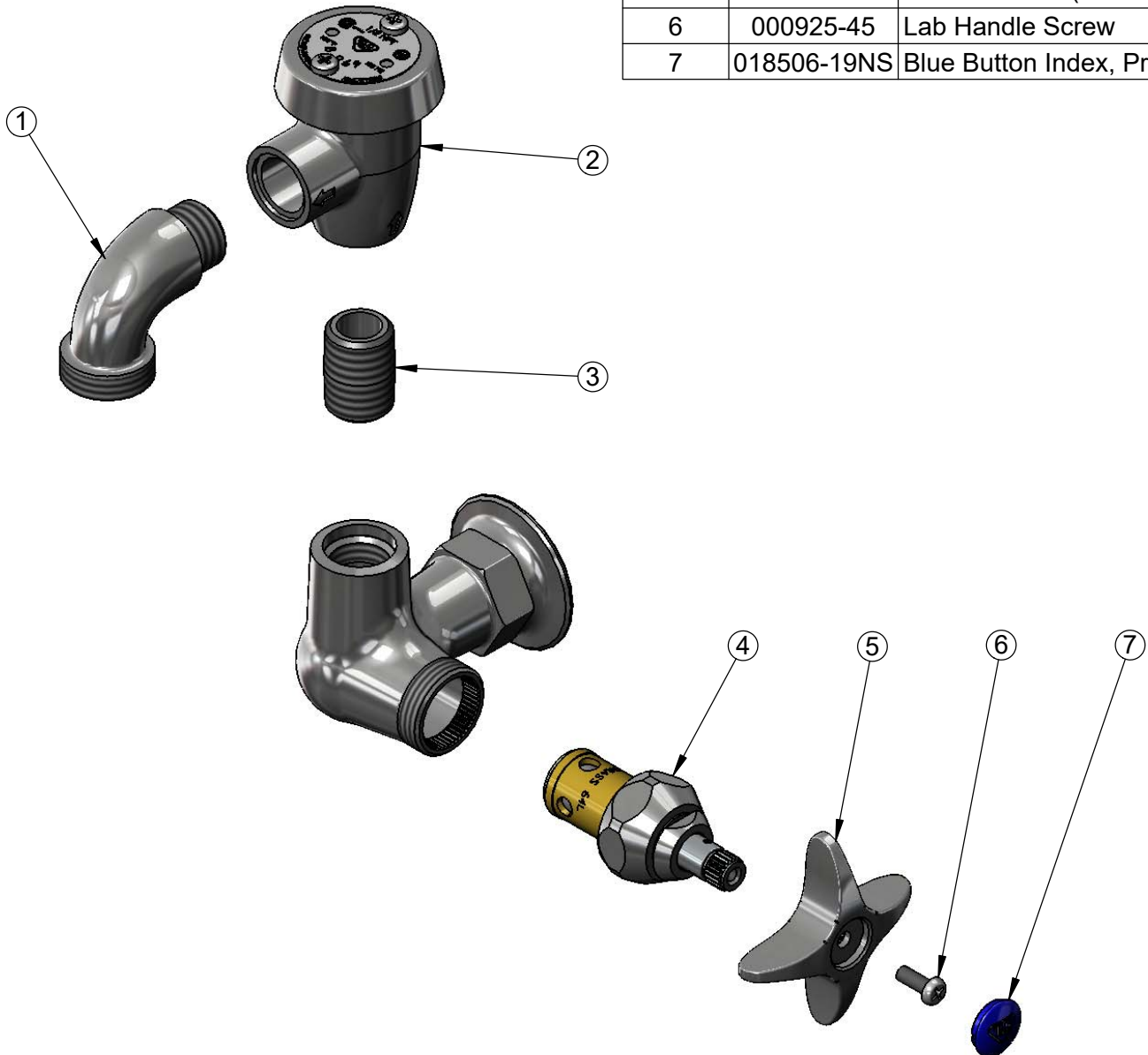


T&S BRASS AND BRONZE WORKS, INC.
 2 Saddleback Cove / P.O. Box 1088
 Travelers Rest, SC 29690

Model No.
B-2301
 Item No.

Travelers Rest, SC: 800-476-4103 • Simi Valley, CA: 800-423-0150 • Fax: 864-834-3518 • www.tsbrass.com

ITEM NO.	SALES NO.	DESCRIPTION
1	001618-40	Spout, Short
2	B-0969	1/2" NPT Vacuum Breaker
3	002534-25	Close Nipple, 1/2" NPT
4	012443-40NS	Quarter-Turn Eterna Cartridge w/ Spring Check, RTC
5	002521-45NS	4-Arm Handle (New Style)
6	000925-45	Lab Handle Screw
7	018506-19NS	Blue Button Index, Press-in



Product Specifications:

Single Hole Single Temperature Wall Mount Sill Faucet, Quarter-Turn Eterna Cartridge w/ Spring Check, 4-Arm Handle, 1/2" NPT Vacuum Breaker, 3/4" Garden Hose Male Outlet & 1/2" NPT Female Inlet

Product Compliance:

ASME A112.18.1 / CSA B125.1
 NSF 61 - Section 9
 NSF 372 (Low Lead Content)
 ANSI A117.1 (ADA)
 ASSE 1001 (VB)