



T&S BRASS AND BRONZE WORKS, INC.

2 Saddleback Cove / P.O. Box 1088
Travelers Rest, SC 29690

Model No.

B-0297

Item No.

Travelers Rest, SC: 800-476-4103 • Simi Valley, CA: 800-423-0150 • Fax: 864-834-3518 • www.tsbrass.com



ADA Compliant

This Space for Architect/Engineer Approval

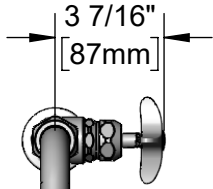
Job Name _____ Date _____

Model Specified _____ Quantity _____

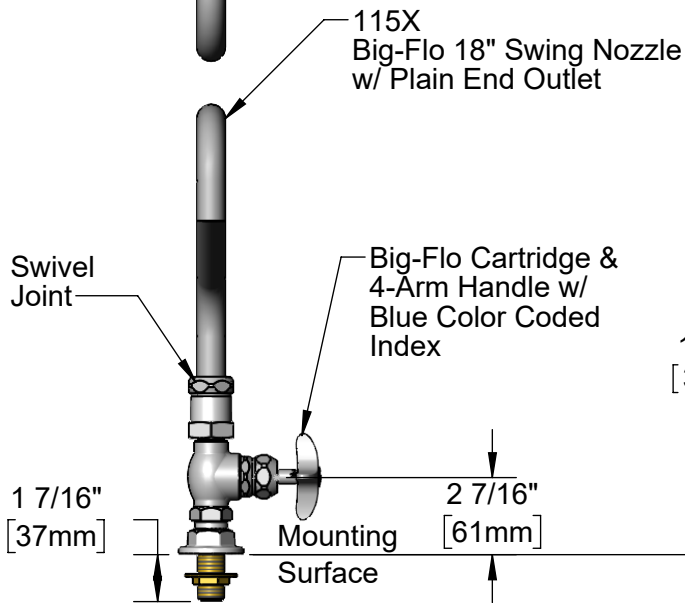
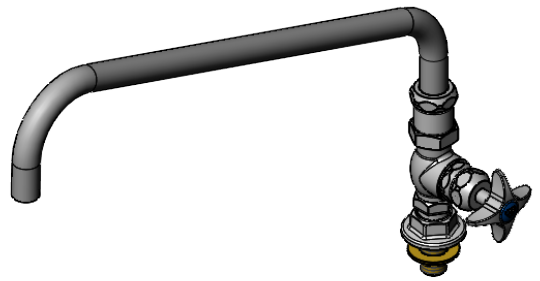
Customer/Wholesaler _____

Contractor _____

Architect/Engineer _____



3 7/16"
[87mm]



Swivel Joint

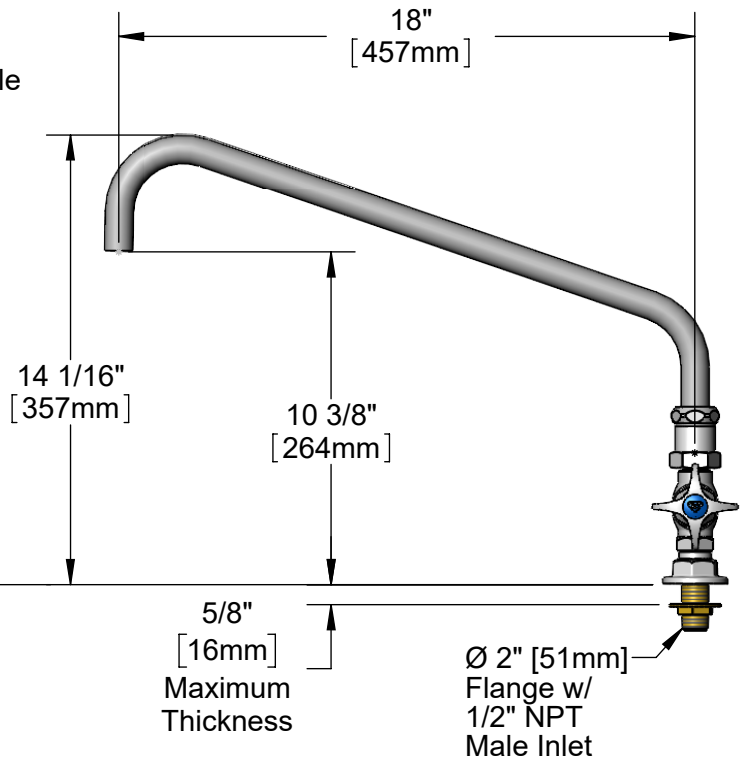
115X Big-Flo 18" Swing Nozzle w/ Plain End Outlet

Big-Flo Cartridge & 4-Arm Handle w/ Blue Color Coded Index

1 7/16"
[37mm]

Mounting Surface

2 7/16"
[61mm]



14 1/16"
[357mm]

10 3/8"
[264mm]

5/8"
[16mm]
Maximum Thickness

Ø 2" [51mm] Flange w/ 1/2" NPT Male Inlet

Rough-In Requirement:
Ø 1" [25mm] Mounting Hole

Product Specifications:

Single Hole Single Temperature Faucet, 4-Arm Handle, Big-Flo 18" Swing Nozzle & 1/2" NPT Supply Nipple Kit

Product Compliance:

ASME A112.18.1 / CSA B125.1
NSF 61 - Section 9
NSF 372 (Low Lead Content)
ANSI A117.1 (ADA)



T&S BRASS AND BRONZE WORKS, INC.

2 Saddleback Cove / P.O. Box 1088
Travelers Rest, SC 29690

Model No.

B-0297

Item No.

Travelers Rest, SC: 800-476-4103 • Simi Valley, CA: 800-423-0150 • Fax: 864-834-3518 • www.tsbrass.com

ITEM NO.	SALES NO.	DESCRIPTION
1	115X	18" Big-Flo Swing Nozzle
2	000847-20	Big-Flo Swivel Piece
3	001068-45	O-ring
4	016807-45	Serrated Lock Washer
5	000594-25	Swivel Body x 1/2-14 NPT
6	002534-25	Close Nipple, 1/2" NPT
7	002900-40	Valve Assembly w/ 4-Arm Handle
8	000764-20	Seat, Big-Flo
9	006482-40NS	Big-Flo Cartridge, RTC
10	002521-45NS	4-Arm Handle (New Style)
11	000925-45	Lab Handle Screw
12	018506-19NS	Blue Button Index, Press-in
13	B-0445	1" Faucet Inlet Extension
14	B-0425	1/2" NPT Supply Nipple Kit
15	000999-45	Brass Lock Washer
16	002954-45	Shank Lock Nut

Product Specifications:
Single Hole Single Temperature Faucet, 4-Arm Handle, Big-Flo 18" Swing Nozzle & 1/2" NPT Supply Nipple Kit

Product Compliance:
ASME A112.18.1 / CSA B125.1
NSF 61 - Section 9
NSF 372 (Low Lead Content)
ANSI A117.1 (ADA)