



# T&S BRASS AND BRONZE WORKS, INC.

2 Saddleback Cove / P.O. Box 1088  
Travelers Rest, SC 29690

Model No.

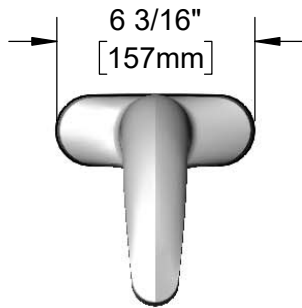
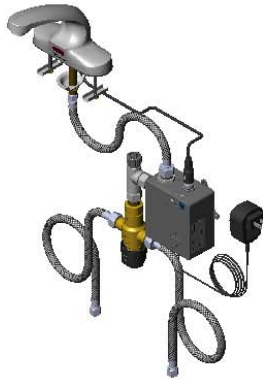
**EC-3103-VF5-TMV**

Item No.

Travelers Rest, SC: 800-476-4103 • Simi Valley, CA: 800-423-0150 • Fax: 864-834-3518 • www.tsbrass.com



ADA Compliant



This Space for Architect/Engineer Approval

Job Name \_\_\_\_\_ Date \_\_\_\_\_

Model Specified \_\_\_\_\_ Quantity \_\_\_\_\_

Customer/Wholesaler \_\_\_\_\_

Contractor \_\_\_\_\_

Architect/Engineer \_\_\_\_\_

Solid Cast Brass Spout  
w/ Polish Chrome Plated Finish  
and 0.5 GPM [1.9 L/min]  
VR Non-Aerated Spray Device

1/2" NPSM x 1/4" NPSM  
18" [457mm] Flexible  
Stainless Steel Hose

Mounting  
Surface

24" [610mm]  
Sensor Cable

4"  
[102mm]

Removable  
Strainer

100-240 VAC Adapter  
w/ 72" [1830mm] Power Cord

4" x 4 3/8" x 2 3/16" Deep  
[102mm x 111mm x 56mm]  
Water Resistant Control Module Box (Grey)  
w/ Internal Flow Control Setting Switches,  
AC or DC Operated w/ (4) AA Batteries.  
Hardwire Capable Using Terminals on Back.

(2) 3/8" Compression x 1/2" NPSM  
18" [457mm] Flexible Stainless Steel  
Supply Hoses

EC-TMV  
ASSE 1070 Thermostatic Temperature  
Mixing Valve w/ Check Valves

### Rough-In Requirement:

- (1) Ø 1" [25mm] Center Shank Mounting Hole
- (2) 1/2" [13mm] Mounting Stud Holes (on 4" Centers)

### Product Specifications:

Chrome Plated Brass Electronic Faucet: 4" Centerset Deck Mount Spout w/ 0.5 GPM VR Non-Aerated Spray Device, AC/DC Control Module w/ Internal Flow Control Setting Switches, Thermostatic Temperature Control Mixing Valve w/ Check Valves, 18" Hot & Cold Flexible Supply Hoses

### Product Compliance:

ASME A112.18.1 / CSA B125.1  
NSF 61 - Section 9  
NSF 372 (Low Lead Content)  
ANSI A117.1 (ADA)  
UL 1951  
ASSE 1070 (TMV)



# T&S BRASS AND BRONZE WORKS, INC.

2 Saddleback Cove / P.O. Box 1088  
Travelers Rest, SC 29690

Model No.

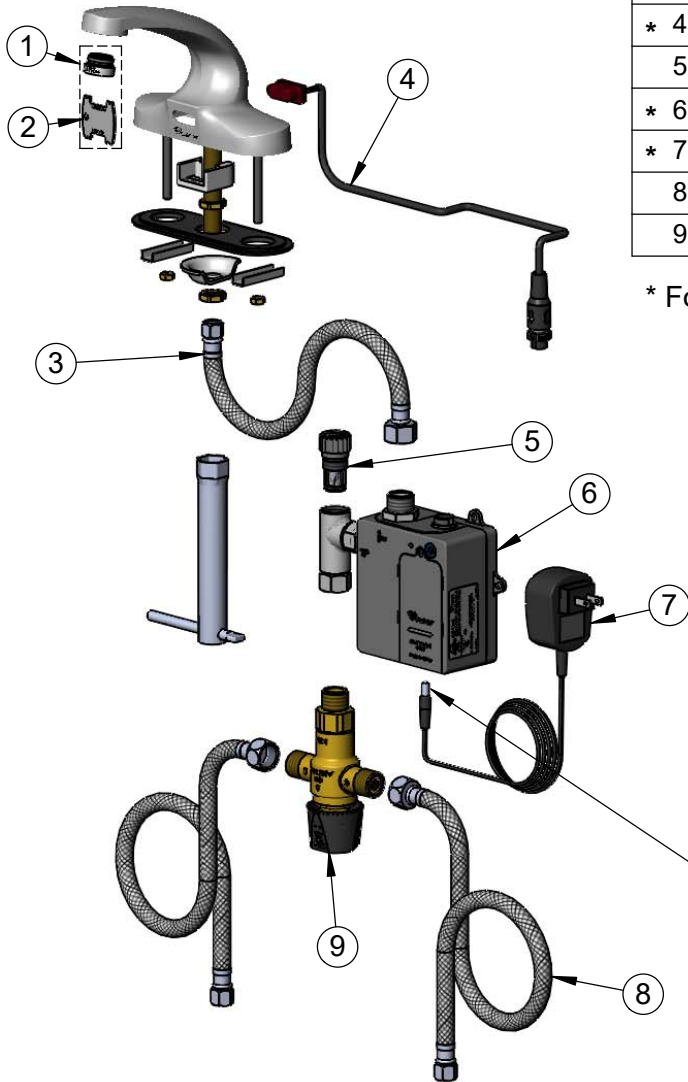
**EC-3103-VF5-TMV**

Item No.

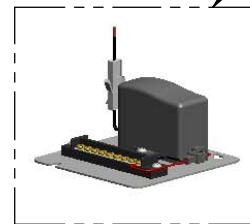
Travelers Rest, SC: 800-476-4103 • Simi Valley, CA: 800-423-0150 • Fax: 864-834-3518 • www.tsbrass.com

ITEM NO.	SALES NO.	DESCRIPTION
1	B-0199-08-N05	0.5 GPM VR Spray Device, 13/16-27 Male
2	015425-45	Vandal Resistant Key
3	016297-45	Inlet Hose, Faucet, 1/2" NPSM-F x 1/4" NPSM-F
* 4	019174-45	Sensor Cable Assembly
5	EC-FILTER	Replacement Filter
* 6	019944-45	ChekPoint Control Module w/ Filter Tee
* 7	5EF-0002C	AC Adapter - US Plug
8	5EF-0005	Supply Hose, 9/16-24 Female x 1/2" NPSM
9	EC-TMV	ASSE 1070 Thermostatic Mixing Valve

\* For Versions Prior to 2021, Consult with T&S Customer Service



A Maximum of (8) ChekPoint Faucets can be Hardwire Connected and Powered by EC-HARDWIRE ChekPoint Hardwire AC Transformer. (Sold Separately)



Flow Control Switches are Located Behind Battery Compartment Cover.

- \* Switches are Set to DEFAULT Position:
- Auto Time Out = 15 Seconds
  - Shut Off Delay = 1 Second
  - Auto Flush = OFF
  - Metering Mode = OFF

**\* Available Water Flow Control Selections:**

- Auto Time Out: 15 sec, 30 sec, 45 sec, 60 sec, 3 min, 20 min
- Shut Off Delay: 1 sec, 10 sec, 15 sec, 30 sec
- Auto Flush (30 Seconds After Every 12 Inactive Hours): ON or OFF
- Metering Mode: ON or OFF

**Product Specifications:**

Chrome Plated Brass Electronic Faucet: 4" Centerset Deck Mount Spout w/ 0.5 GPM VR Non-Aerated Spray Device, AC/DC Control Module w/ Internal Flow Control Setting Switches, Thermostatic Temperature Control Mixing Valve w/ Check Valves, 18" Hot & Cold Flexible Supply Hoses

**Product Compliance:**

ASME A112.18.1 / CSA B125.1  
NSF 61 - Section 9  
NSF 372 (Low Lead Content)  
ANSI A117.1 (ADA)  
UL 1951  
ASSE 1070 (TMV)