



**Bubblers**

**B-2360-01-AR**

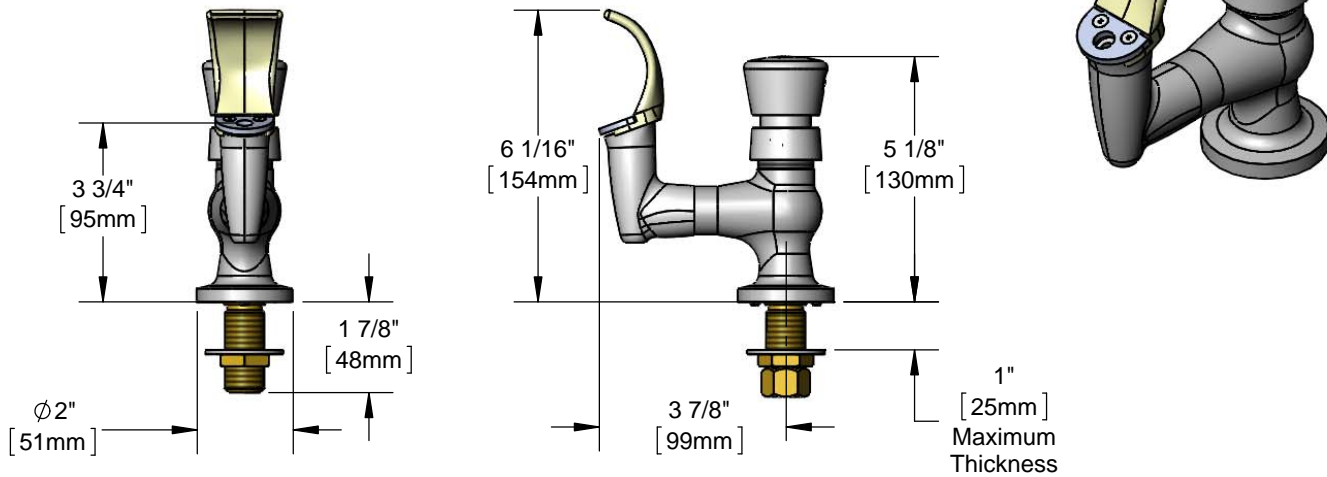
TAG:

*Bubbler*

**Architect/Engineering Specifications:**

Deck mount bubbler with polished chrome plated brass body, flexible rubber mouth guard, adjustable outlet flow control, metering cartridge, push button cap and 1/2" NPSM male inlet with coupling nut. Certified to ASME A112.18.1/CSA B125.1, NSF 61-Section 9 and NSF 372. Meets ADA ANSI/ICC A117.1 requirements

Job Name _____	
Model Specified _____	Quantity _____
Variations Specified _____	
Date _____	



**Features & Benefits:**

- Deck mount bubbler with polished chrome plated brass body
- Flexible rubber mouth guard
- Hidden flow control screw provides adjustable outlet flow
- Metering cartridge
- Adjustable metering cycle, 10-30 seconds
- Cold push button cap
- 1/2" NPSM male inlet with coupling nut
- Anti-rotation screw kit provides anti-rotation for mounting flange
- Material: Polished chrome plated brass body, flexible rubber mouth guard

**Product Compliance:**

- ASME A112.18.1 / CSA B125.1
- NSF 61 - Section 9
- NSF 372 (Low Lead Content)
- ANSI A117.1 (ADA)



**Warranty:** One Year (Limited)

**Performance Data:**

- Pressure: 20 - 125 psi
- Temperature: 40 °F - 140 °F
- Flow Rate:
  - @ 4" Distance = 0.32 GPM @ 60 psi
  - @ 8" Distance = 0.43 GPM @ 60 psi



**ADA Compliant**

**Optional Cartridges**

- Push Button Metering (Standard)
- Wrist Action Metering
- Pivot Action Metering
- Fast Self-Closing



**T&S BRASS AND BRONZE WORKS, INC.**



• 2 Saddleback Cove • Travelers Rest, SC 29690  
 Ph 800-476-4103 • Fax 864-834-3518  
 • Simi Valley, CA • Ph 800-423-0150 • www.tsbrass.com

Date: 04/12/16