



# T&S BRASS AND BRONZE WORKS, INC.

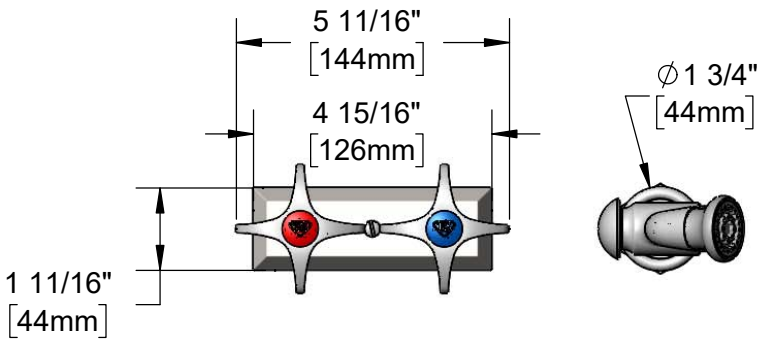
2 Saddleback Cove / P.O. Box 1088  
Travelers Rest, SC 29690

Model No.

**B-0512-0101-CV**

Item No.

Travelers Rest, SC: 800-476-4103 • Simi Valley, CA: 800-423-0150 • Fax: 864-834-3518 • www.tsbrass.com



This Space for Architect/Engineer Approval

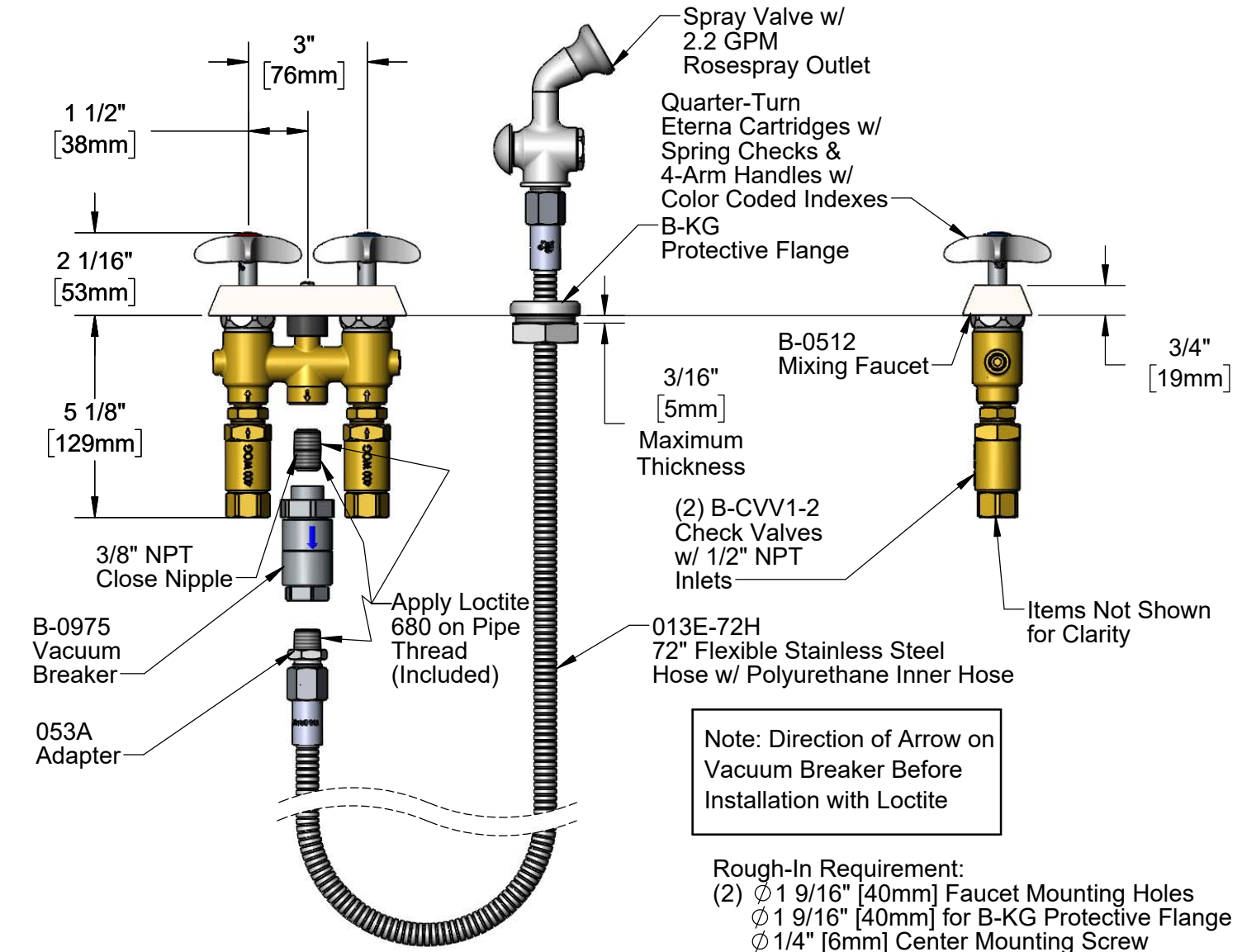
Job Name \_\_\_\_\_ Date \_\_\_\_\_

Model Specified \_\_\_\_\_ Quantity \_\_\_\_\_

Customer/Wholesaler \_\_\_\_\_

Contractor \_\_\_\_\_

Architect/Engineer \_\_\_\_\_



**Product Specifications:**

3" Concealed Mixing Faucet w/ 4-Arm Handles, Vacuum Breaker, Check Valves, Protective Flange, 72" Flexible Stainless Steel Hose & Spray Valve w/ 2.2 GPM Rosespray Outlet w/ Multi-Laminar (Non-Aerated) Spray Pattern

**Product Compliance:**

ASME A112.18.1 / CSA B125.1  
 NSF 61 - Section 9  
 NSF 372 (Low Lead Content)  
 ASSE 1024 (VB)



# T&S BRASS AND BRONZE WORKS, INC.

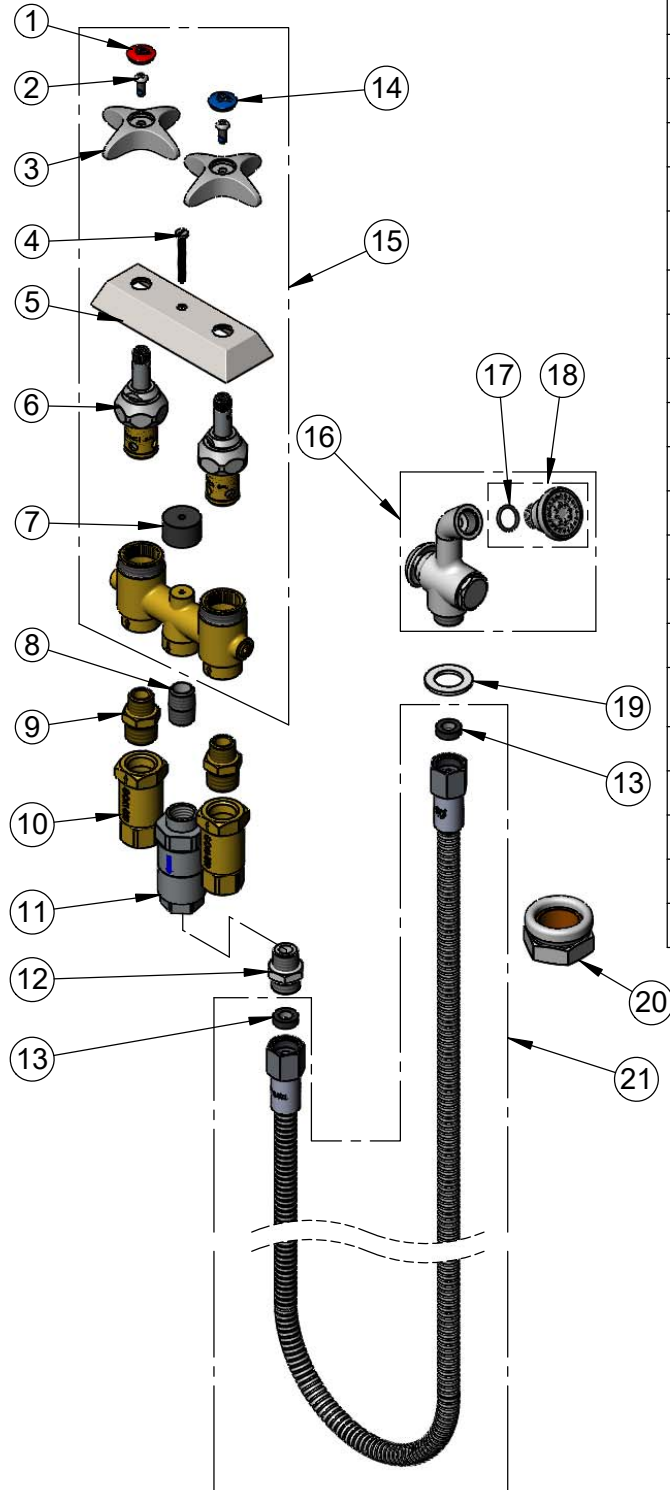
2 Saddleback Cove / P.O. Box 1088  
Travelers Rest, SC 29690

Model No.

**B-0512-0101-CV**

Item No.

Travelers Rest, SC: 800-476-4103 • Simi Valley, CA: 800-423-0150 • Fax: 864-834-3518 • www.tsbrass.com



ITEM NO.	SALES NO.	DESCRIPTION
1	001193-19NS	Red Button Index, Press-in
2	000925-45	Lab Handle Screw
3	002521-45NS	4-Arm Handle (New Style)
4	002819-45	Screw
5	000020-40	Escutcheon
6	006020-40NS	Quarter-Turn Long Spindle Eterna Cartridge w/ Spring Check, RTC
7	015986-45	Spacer
8	002535-25	3/8" Close Nipple
9	062A	Adapter, Male - 3/8 NPT x 1/2 NPT
10	B-CVV1-2	1/2" Check Valve
11	B-0975	Dual Check Valve VB
12	053A	Adapter, 3/8" NPT x 3/4-14UN
13	010476-45	#27 Washer
14	018506-19NS	Blue Button Index, Press-in
15	B-0512	Concealed Mixing Faucet
16	002857-40	Spray Valve w/ 2.2 GPM Rosespray Outlet
17	006575-45	-015 O-Ring
18	B-0103	2.2 GPM Rosespray, 3/8"-18 NPT Male
19	001010-40	Washer, Stainless Steel
20	B-KG	Protective Flange
21	013E-72H	72" Flexible Stainless Steel Hose

**Product Specifications:**

3" Concealed Mixing Faucet w/ 4-Arm Handles, Vacuum Breaker, Check Valves, Protective Flange, 72" Flexible Stainless Steel Hose & Spray Valve w/ 2.2 GPM Rosespray Outlet w/ Multi-Laminar (Non-Aerated) Spray Pattern

**Product Compliance:**

ASME A112.18.1 / CSA B125.1  
NSF 61 - Section 9  
NSF 372 (Low Lead Content)  
ASSE 1024 (VB)