



T&S BRASS AND BRONZE WORKS, INC.
 2 Saddleback Cove / P.O. Box 1088
 Travelers Rest, SC 29690

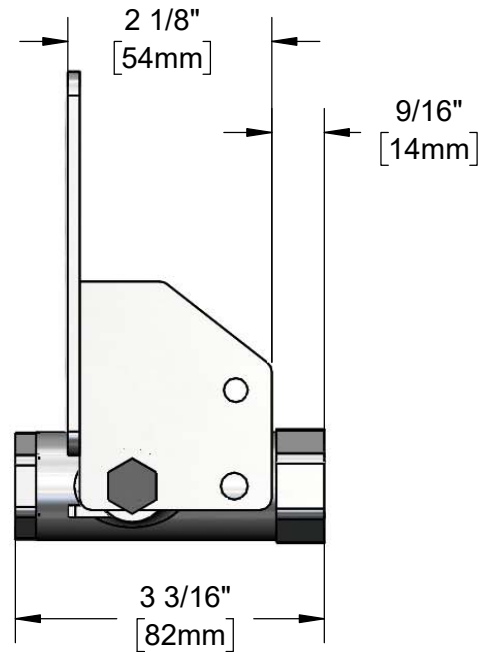
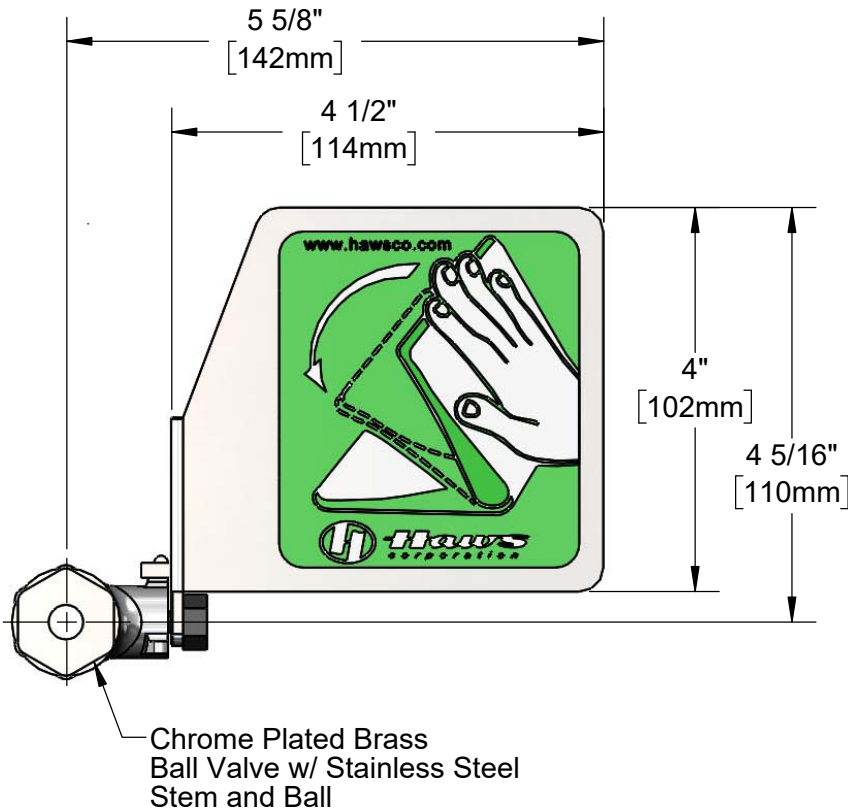
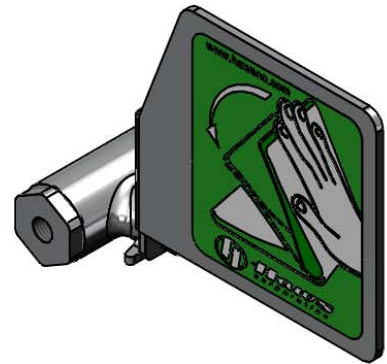
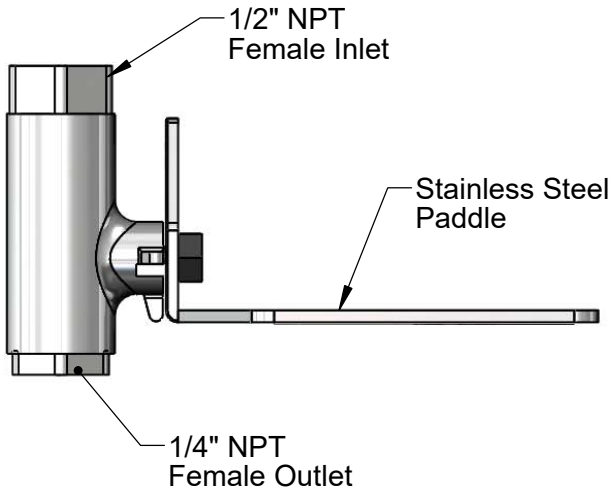
Model No.
EW-SP225

Item No.

Travelers Rest, SC: 800-476-4103 • Simi Valley, CA: 800-423-0150 • Fax: 864-834-3518 • www.tsbrass.com

This Space for Architect/Engineer Approval

Job Name _____ Date _____
 Model Specified _____ Quantity _____
 Customer/Wholesaler _____
 Contractor _____
 Architect/Engineer _____



Product Specifications:

Stainless Steel Push Flag with Stay Open Chrome Plated Brass Ball Valve, Stainless Steel Stem and Ball, 1/2" NPT Female Inlet and 1/4" NPT Female Outlet

Product Compliance:

NSF 61 Exempt (Non-Potable)