



T&S BRASS AND BRONZE WORKS, INC.

2 Saddleback Cove / P.O. Box 1088
Travelers Rest, SC 29690

Model No.

EC-3142-VF05

Item No.

Travelers Rest, SC: 800-476-4103 • Simi Valley, CA: 800-423-0150 • Fax: 864-834-3518 • www.tsbrass.com



ADA Compliant



This Space for Architect/Engineer Approval

Job Name _____ Date _____

Model Specified _____ Quantity _____

Customer/Wholesaler _____

Contractor _____

Architect/Engineer _____

Ø 2 1/2"
[64mm]

Cold
↑
Hot
↓



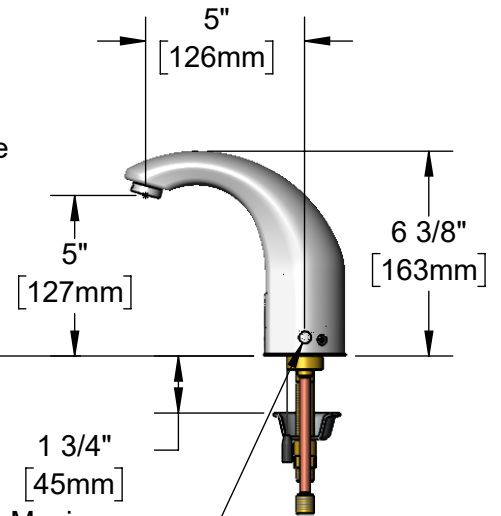
Cast Spout w/
0.5 GPM [1.9 L/min]
Vandal Resistant
Non-Aerated Spray Device

Internal Above Deck
Electronics w/ Flow
Control Setting Switches.
Powered w/ 6 VDC
Lithium Battery.

Temperature Mixing Handle
w/ Color Coded Index
(Optional Plug Included to
Replace Handle When
Temperature is Preset)

Removable
Anti-Rotation Pin

Mounting Surface

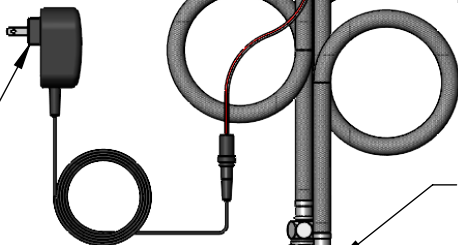


Shown w/ Optional
Plug Installed When
Water Temperature
is Preset (Included)

13/16"
[21mm]

18" [457mm] Flexible
Stainless Steel Supply
Hoses

1 3/4"
[45mm]
Maximum
Thickness



1/2" NPSM Swivel Ends
w/ Filter Washers

100-240 VAC Adapter w/
72" [1830mm] Power Cord

Check Valve Adapters
w/ 3/8" Compression
(9/16-24 UN) Inlets

Rough-In Requirement:

Ø 1 1/4" [32mm] Mounting Hole

Ø 3/16" [5mm] Anti-Rotation Pin Hole (Optional)

Product Specifications:

Chrome Plated Brass Above Deck Electronics Faucet, Single Hole Deck Mount, Cast Spout w/ 0.5 GPM VR Non-Aerated Spray Device, Point-of-Use Temperature Control, Battery or AC Adapter Powered, Stainless Steel Flexible Supply Lines & 3/8" Compression Inlets

Product Compliance:

ASME A112.18.1 / CSA B125.1
NSF 61 - Section 9
NSF 372 (Low Lead Content)
ANSI A117.1 (ADA)
UL 1951



T&S BRASS AND BRONZE WORKS, INC.

2 Saddleback Cove / P.O. Box 1088
Travelers Rest, SC 29690

Model No.

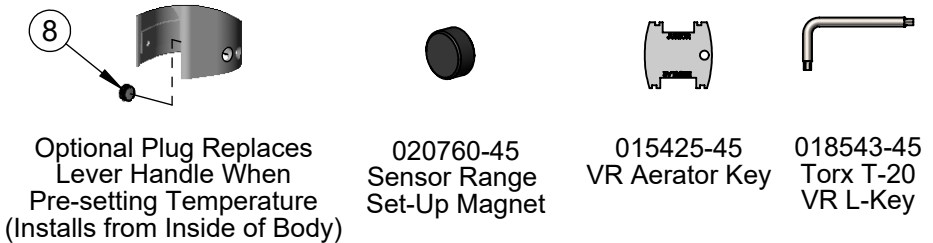
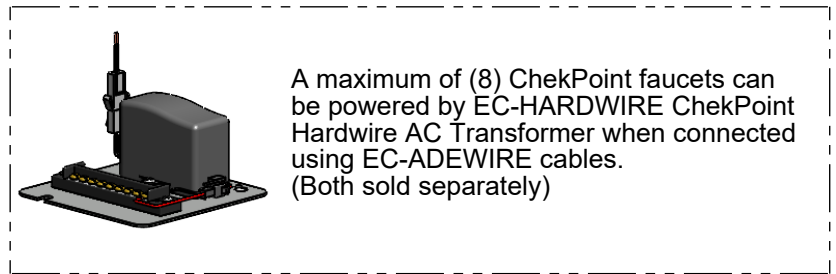
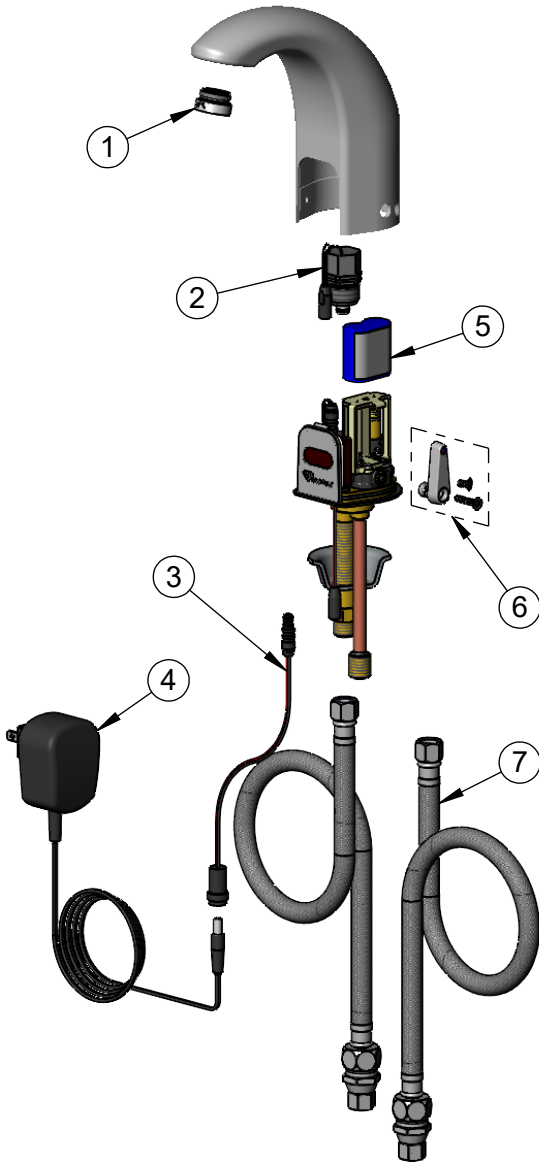
EC-3142-VF05

Item No.

Travelers Rest, SC: 800-476-4103 • Simi Valley, CA: 800-423-0150 • Fax: 864-834-3518 • www.tsbrass.com

ITEM NO.	SALES NO.	DESCRIPTION
1	B-0199-08-N05	0.5 GPM VR Spray Device, 13/16-27 Male
2	020330-45	Solenoid Valve, M22 x 2 Male Thd
* 3	020417-45	Aux. Power Connector Cable
* 4	5EF-0002C	AC Adapter - US Plug
5	019087-45	6VDC Lithium Battery, CR-P2
* 6	020270-45	Lever Asm & Body Screw Kit w/ L-Key
7	018544-45	SS Flex Hose w/ Check Valve Adapter
* 8	020426-45	Body Plug, Pre-Set Temperature

* For Versions Prior to 2024, Consult with T&S Customer Service



Flow Control Switches are Located Behind the Sensor.
Remove Battery to Access Switches.

* Switches are set to DEFAULT position:

- Auto Time Out = 15 seconds
- Shut Off Delay = 1 second
- Auto Flush = OFF
- Metering Mode = OFF

* Available Water Flow Control Selections:

- Auto Time Out: 15 sec, 30 sec, 45 sec, 60 sec, 3 min, 20 min
- Shut Off Delay: 1 sec, 10 sec, 15 sec, 30 sec
- Auto Flush (30 Seconds After Every 12 Inactive Hours): ON or OFF
- Metering Mode: ON or OFF

Product Specifications:

Chrome Plated Brass Above Deck Electronics Faucet, Single Hole Deck Mount, Cast Spout w/ 0.5 GPM VR Non-Aerated Spray Device, Point-of-Use Temperature Control, Battery or AC Adapter Powered, Stainless Steel Flexible Supply Lines & 3/8" Compression Inlets

Product Compliance:

ASME A112.18.1 / CSA B125.1
NSF 61 - Section 9
NSF 372 (Low Lead Content)
ANSI A117.1 (ADA)
UL 1951