



# T&S BRASS AND BRONZE WORKS, INC.

2 Saddleback Cove / P.O. Box 1088  
Travelers Rest, SC 29690

Model No.

**EC-3130-XP-F15**

Item No.

Travelers Rest, SC: 800-476-4103 • Simi Valley, CA: 800-423-0150 • Fax: 864-834-3518 • www.tsbrass.com



**ADA Compliant**



This Space for Architect/Engineer Approval

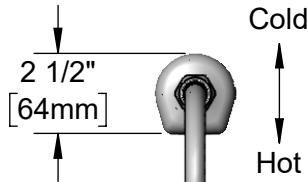
Job Name \_\_\_\_\_ Date \_\_\_\_\_

Model Specified \_\_\_\_\_ Quantity \_\_\_\_\_

Customer/Wholesaler \_\_\_\_\_

Contractor \_\_\_\_\_

Architect/Engineer \_\_\_\_\_



Internal Above Deck Electronics w/ Flow Control Setting Switches. Powered w/ 6 VDC Lithium Battery.

Removable Anti-Rotation Pin

13/16" [21mm]

Mounting Surface

18" [457mm] Flexible Stainless Steel Supply Hoses

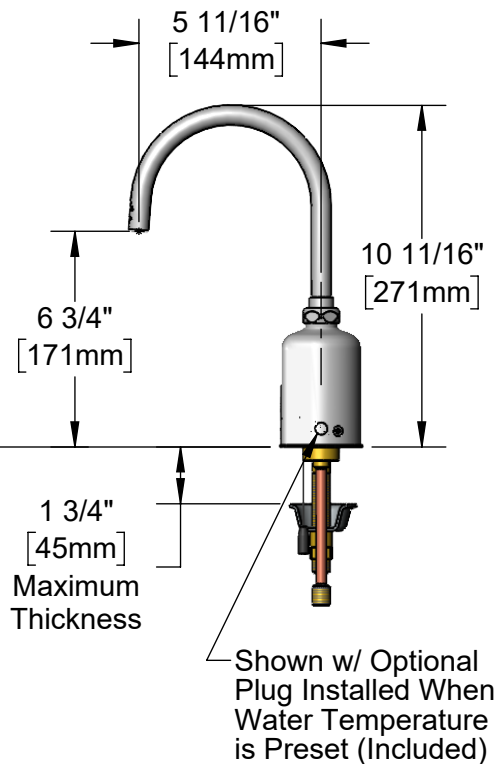
1/2" NPSM Swivel Ends w/ Filter Washers

Check Valve Adapters w/ 3/8" Compression (9/16-24 UN) Inlets

100-240 VAC Adapter w/ 72" [1830mm] Power Cord

Plain End Gooseneck w/ 1.5 GPM Flow Regulator in Swivel Piece. Rigid Conversion Requires 014200-45 Lock Washer (Included)

Temperature Mixing Handle w/ Color Coded Index (Optional Plug Included to Replace Handle When Temperature is Preset)



### Rough-In Requirement:

Ø 1 1/4" [32mm] Mounting Hole

Ø 3/16" [5mm] Anti-Rotation Pin Hole (Optional)

### Product Specifications:

Chrome Plated Brass Above Deck Electronics Faucet, Single Hole Deck Mount, Plain End Swivel/Rigid Gooseneck w/ 1.5 GPM Flow Regulator, Point-of-Use Temp. Control, Battery or AC Adapter Powered, 18" Flexible Stainless Steel Supply Hoses & 3/8" Compression Inlets

### Product Compliance:

ASME A112.18.1 / CSA B125.1  
NSF 61 - Section 9  
NSF 372 (Low Lead Content)  
ANSI A117.1 (ADA)  
UL 1951  
EPA WaterSense



# T&S BRASS AND BRONZE WORKS, INC.

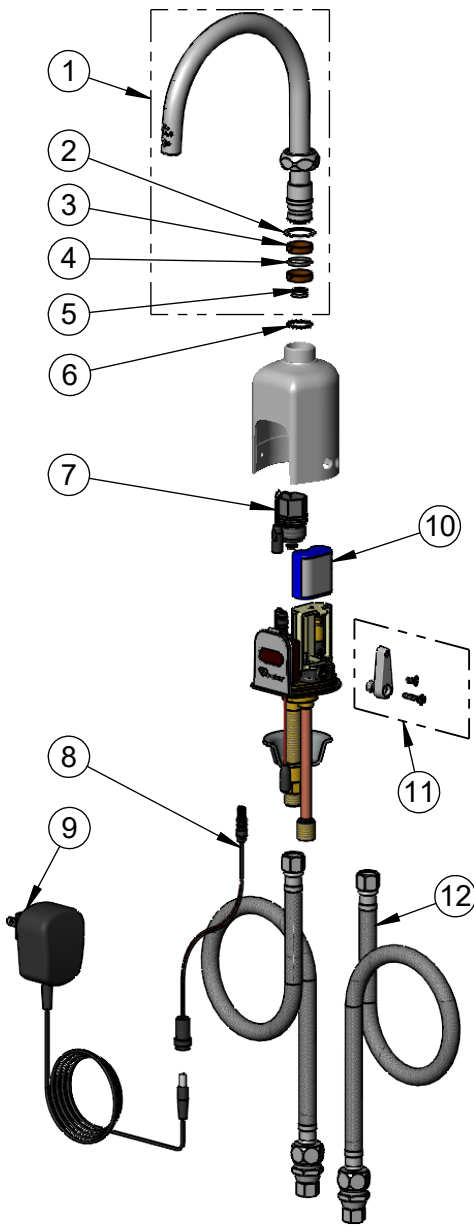
2 Saddleback Cove / P.O. Box 1088  
Travelers Rest, SC 29690

Model No.

**EC-3130-XP-F15**

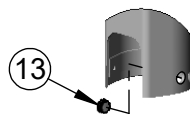
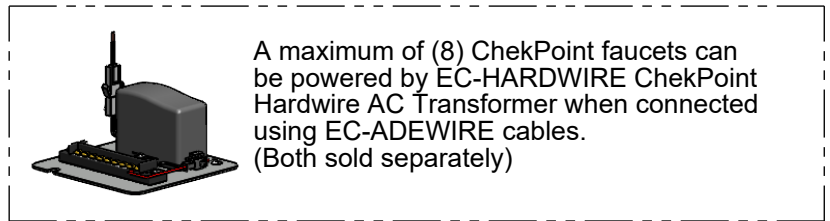
Item No.

Travelers Rest, SC: 800-476-4103 • Simi Valley, CA: 800-423-0150 • Fax: 864-834-3518 • www.tsbrass.com



| ITEM NO. | SALES NO.     | DESCRIPTION  |
|----------|---------------|--|
| 1        | 133XP-ADE-F15 | Plain End Gooseneck w/ 1.5 GPM Flow Regulator Swivel Piece |
| 2        | 009538-45     | Swivel Washer  |
| 3        | 011429-45     | Swivel Sleeves (2)   |
| 4        | 001074-45     | O-Ring   |
| 5        | FD15          | Flow Disc, 1.5 GPM [5.7 L/min] - Green                     |
| 6        | 014200-45     | Star Washer, Anti-Rotation                                 |
| 7        | 020330-45     | Solenoid Valve, M22 x 2 Male Thd                           |
| * 8      | 020417-45     | Aux. Power Connector Cable                                 |
| * 9      | 5EF-0002C     | AC Adapter - US Plug                                       |
| 10       | 019087-45     | 6VDC Lithium Battery, CR-P2                                |
| * 11     | 020270-45     | Lever Asm & Body Screw Kit w/ L-Key                        |
| 12       | 018544-45     | SS Flex Hose w/ Check Valve Adapter                        |
| * 13     | 020426-45     | Body Plug, Pre-Set Temperature                             |

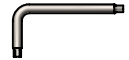
\* For Versions Prior to 2024, Consult with T&S Customer Service



Optional Plug Replaces Lever Handle When Pre-setting Temperature (Installs from Inside of Body)



020760-45  
Sensor Range Set-Up Magnet



018543-45  
Torx T-20 VR L-Key

Flow Control Switches are Located Behind the Sensor. Switches are set to DEFAULT position:

- Auto Time Out = 15 seconds
- Shut Off Delay = 1 second
- Auto Flush = OFF
- Metering Mode = OFF

Available Water Flow Control Selections:

- Auto Time Out: 15 sec, 30 sec, 45 sec, 60 sec, 3 min, 20 min
- Shut Off Delay: 1 sec, 10 sec, 15 sec, 30 sec
- Auto Flush (30 Seconds After Every 12 Inactive Hours): ON or OFF
- Metering Mode = ON or OFF

**Product Specifications:**

Chrome Plated Brass Above Deck Electronics Faucet, Single Hole Deck Mount, Plain End Swivel/Rigid Gooseneck w/ 1.5 GPM Flow Regulator, Point-of-Use Temp. Control, Battery or AC Adapter Powered, 18" Flexible Stainless Steel Supply Hoses & 3/8" Compression Inlets

**Product Compliance:**

ASME A112.18.1 / CSA B125.1  
NSF 61 - Section 9  
NSF 372 (Low Lead Content)  
ANSI A117.1 (ADA)  
UL 1951  
EPA WaterSense