



T&S BRASS AND BRONZE WORKS, INC.

2 Saddleback Cove / P.O. Box 1088
Travelers Rest, SC 29690

Model No.

B-0290-14-WH4

Item No.

Travelers Rest, SC: 800-476-4103 • Simi Valley, CA: 800-423-0150 • Fax: 864-834-3518 • www.tsbrass.com



ADA Compliant

This Space for Architect/Engineer Approval

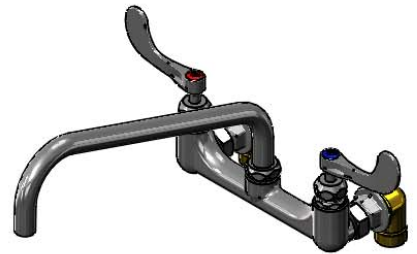
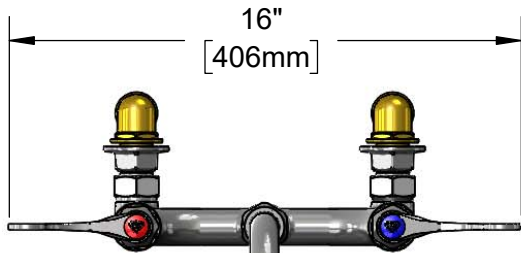
Job Name _____ Date _____

Model Specified _____ Quantity _____

Customer/Wholesaler _____

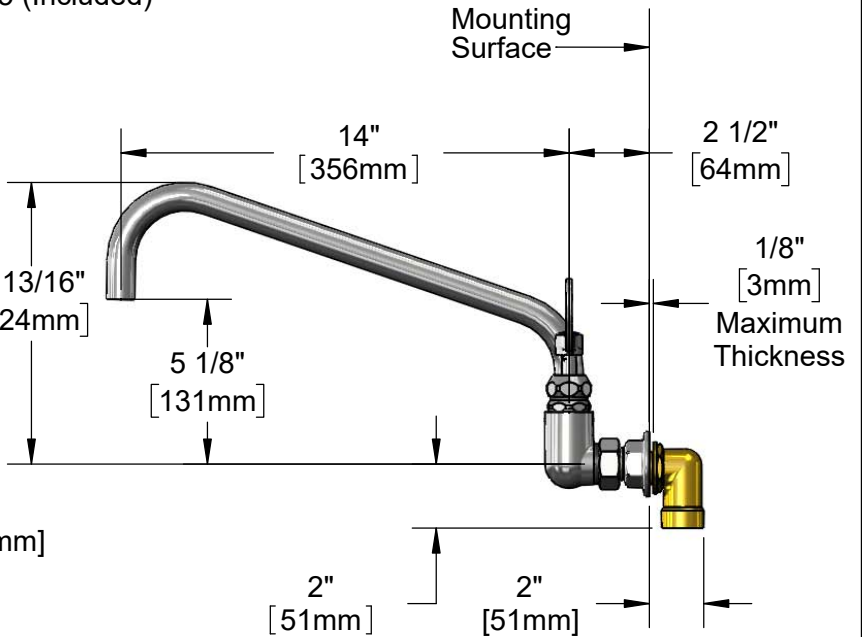
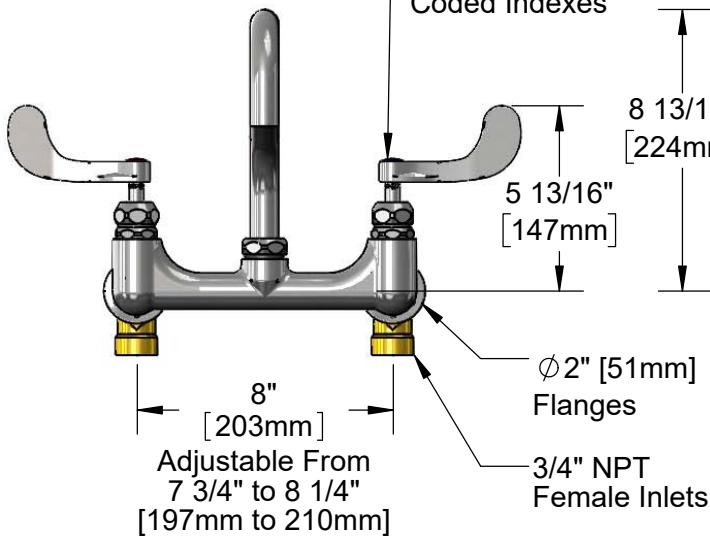
Contractor _____

Architect/Engineer _____



14" Big-Flo Swing Nozzle
w/ Plain End Outlet.
Converts to Rigid w/ Lock
Washer 016807-45 (Included)

Big-Flo Cartridges
& 4" Wrist Action
Handles w/ Color
Coded Indexes



Rough-In Requirement:
(2) ϕ 1 1/4" [32mm] Mounting Holes

Product Specifications:
8" Wall Mount Mixing Faucet w/ Big-Flo CVartridges, 4" Wrist Action Handles,
14" Big-Flo Swivel Nozzle & 3/4" NPT Female Inlet Elbows

Product Compliance:
ASME A112.18.1 / CSA B125.1
NSF 61 - Section 9
NSF 372 (Low Lead Content)
ANSI A117.1 (ADA)



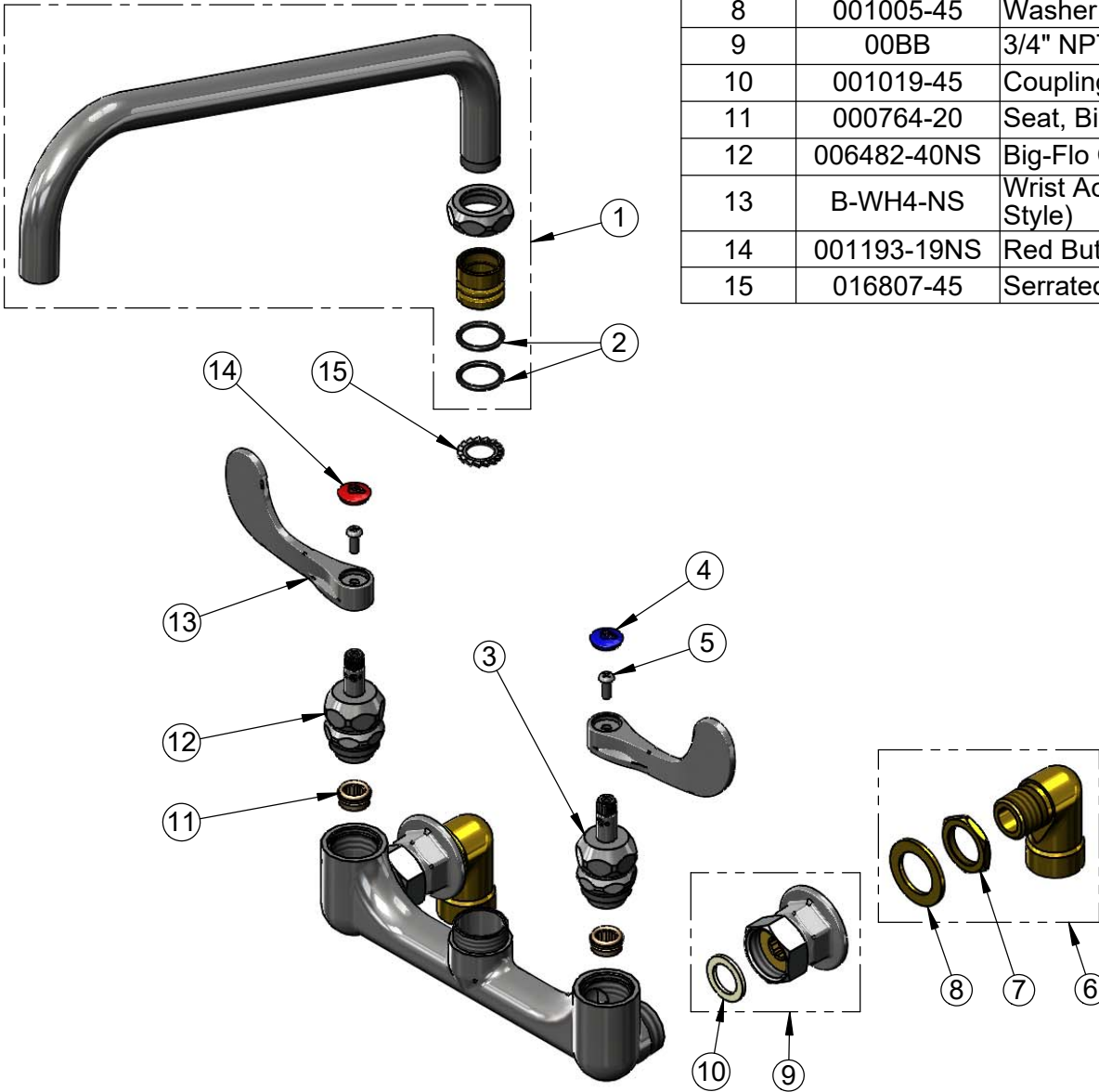
T&S BRASS AND BRONZE WORKS, INC.
 2 Saddleback Cove / P.O. Box 1088
 Travelers Rest, SC 29690

Model No.
B-0290-14-WH4

Item No.

Travelers Rest, SC: 800-476-4103 • Simi Valley, CA: 800-423-0150 • Fax: 864-834-3518 • www.tsbrass.com

| ITEM NO. | SALES NO. | DESCRIPTION |
|----------|-------------|---------------------------------|
| 1 | 014462-40 | 14" Big-Flo Swing Nozzle |
| 2 | 001068-45 | O-ring |
| 3 | 006481-40NS | Big-Flo Cartridge, LTC |
| 4 | 018506-19NS | Blue Button Index, Press-in |
| 5 | 000925-45 | Lab Handle Screw |
| 6 | 00LL | 3/4" Short Elbow Inlet |
| 7 | 000971-45 | Lock Nut, 3/4" NPSM |
| 8 | 001005-45 | Washer |
| 9 | 00BB | 3/4" NPT Inlet Flange |
| 10 | 001019-45 | Coupling Nut Washer |
| 11 | 000764-20 | Seat, Big-Flo |
| 12 | 006482-40NS | Big-Flo Cartridge, RTC |
| 13 | B-WH4-NS | Wrist Action Handle (New Style) |
| 14 | 001193-19NS | Red Button Index, Press-in |
| 15 | 016807-45 | Serrated Lock Washer |



Product Specifications:
 8" Wall Mount Mixing Faucet w/ Big-Flo CVartridges, 4" Wrist Action Handles,
 14" Big-Flo Swivel Nozzle & 3/4" NPT Female Inlet Elbows

Product Compliance:
 ASME A112.18.1 / CSA B125.1
 NSF 61 - Section 9
 NSF 372 (Low Lead Content)
 ANSI A117.1 (ADA)