



Washdown Stations

MV-0771-12N

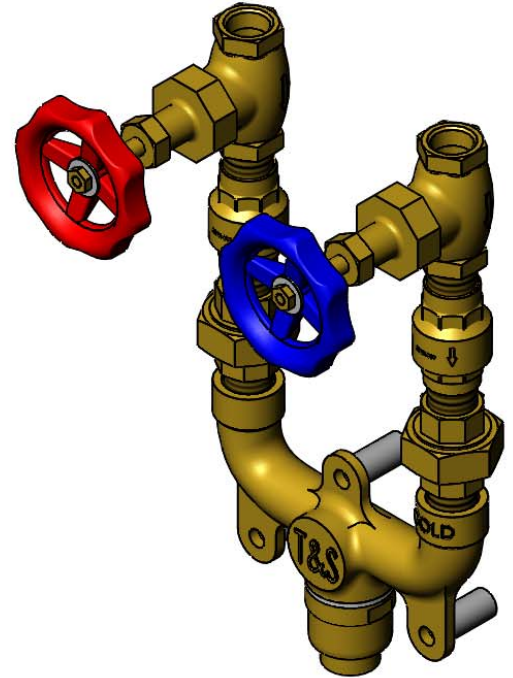
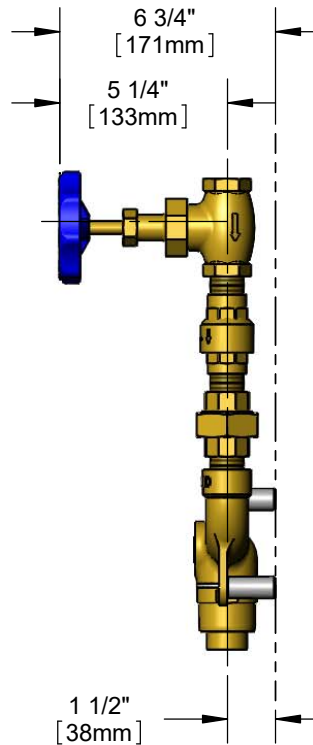
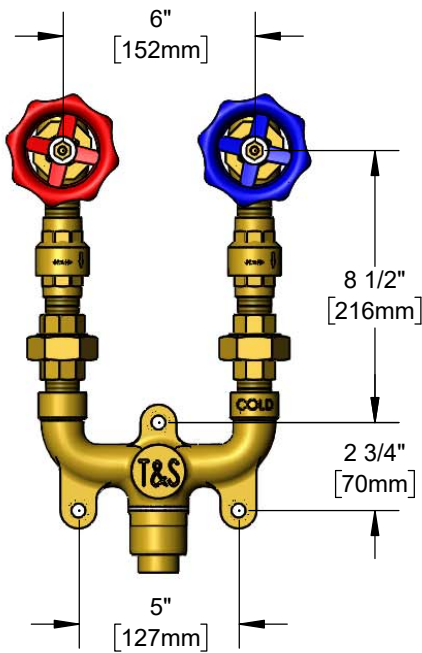
TAG:

Mixing Valve

Architect/Engineering Specifications:

Brass 3/4" mixing valve with check valves, globe valves and 3/4" NPT female connections.

Job Name _____
 Model Specified _____ Quantity _____
 Variations Specified _____
 Date _____



Features & Benefits:

- 3/4" mixing valve
- 3/4" check valves
- 3/4" globe valve w/ color coded handles
- 3/4" NPT female inlets and outlet
- Material: Brass

Product Compliance:

- NSF 61 Exempt (Non-Potable)

Warranty: One Year (Limited)

Performance Data:

- Pressure: 20 - 125 psi [1.38 - 8.62 bar]
- Temperature: 40 °F - 200 °F [4.44 °C - 93.3 °C]
- Flow Rate: 41.94 GPM [158.8 L/min] @ 60 psi [4.14 bar]

(Outlet Device &/or Final Configuration May Reduce Flow Rate)



T&S BRASS AND BRONZE WORKS, INC.



• 2 Saddleback Cove • Travelers Rest, SC 29690
 Ph 800-476-4103 • Fax 864-834-3518
 • Simi Valley, CA • Ph 800-423-0150 • www.tsbrass.com

Date: 07/17/20