



Sill and Heavy Duty Sink Faucets

B-0700-01

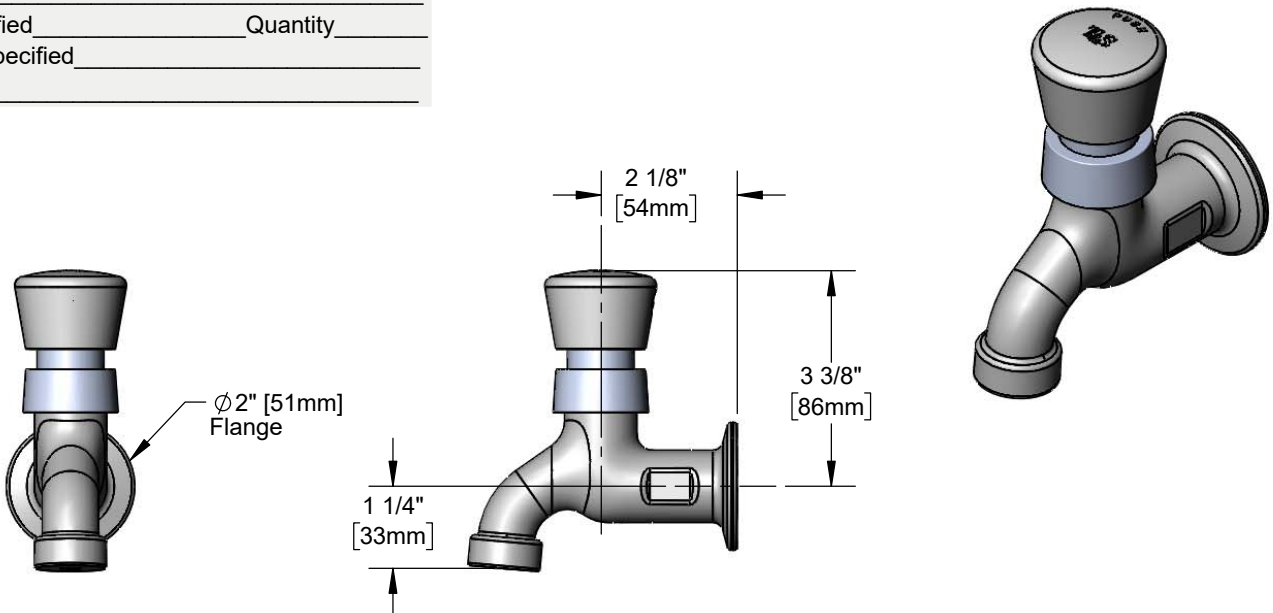
TAG:

Single Sink Faucet

Architect/Engineering Specifications:

Single hole, single temperature, wall mount faucet with polished chrome plated brass body, plain end outlet, metering cartridge, blank push button cap and 1/2" NPT female inlet. Certified to ASME A112.18.1/CSA B125.1, NSF 61-Section 9 and NSF 372. Meets ADA ANSI/ICC A117.1 requirements.

Job Name _____
 Model Specified _____ Quantity _____
 Variations Specified _____
 Date _____



Features & Benefits:

- Single hole, single temperature wall mount faucet w/ polished chrome plated brass body
- Full flow plain end outlet
- Metering cartridge
- Adjustable metering cycle, 10 to 30 seconds
- Blank push button cap w/ vandal resistant screw
- 1/2" NPT female inlet
- Material: Polished chrome plated brass body and chrome plated metal push button cap

Product Compliance:

- ASME A112.18.1 / CSA B125.1
- NSF 61 - Section 9
- NSF 372 (Low Lead Content)
- ANSI A117.1 (ADA)

Warranty: One Year (Limited)

Performance Data:

- Pressure: 20 - 125 psi [1.38 - 8.62 bar]
- Temperature: 40°F - 140°F [4.44°C - 60°C]
- Flow Rate: 2.98 GPM [11.28 L/min] @ 60 psi [4.14 bar]
- Water Consumption: @ 10 sec = .49 gal [1.85 L]
@ 15 sec = .75 gal [2.84 L]



Optional Cartridges

- Push Button Metering (Standard)
- Pivot Action Metering
- Wrist Action Metering



T&S BRASS AND BRONZE WORKS, INC.



• 2 Saddleback Cove • Travelers Rest, SC 29690
 Ph 800-476-4103 • Fax 864-834-3518
 • Simi Valley, CA • Ph 800-423-0150 • www.tsbrass.com

Date: 05/12/21