



Single Sill Faucets

B-0737-POL

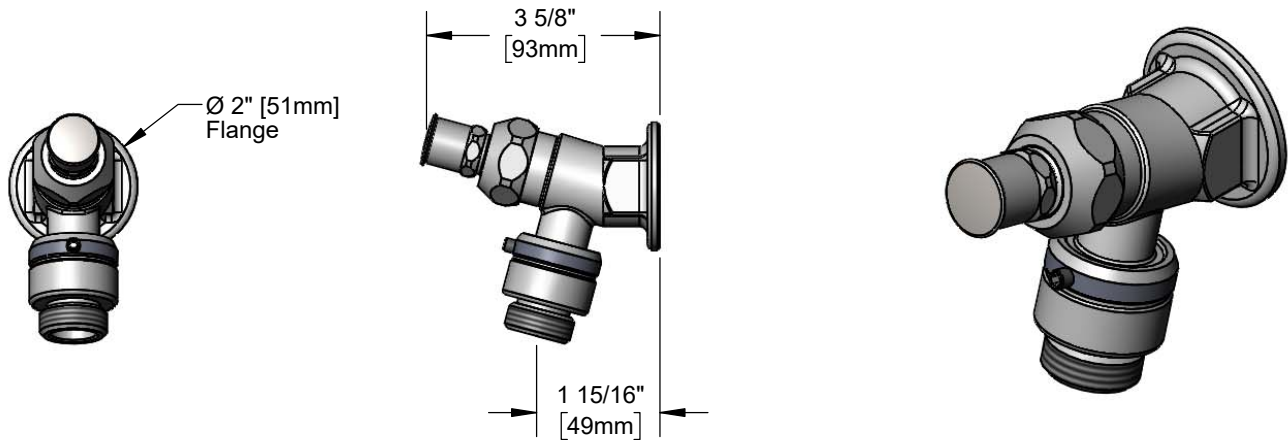
TAG:

Sill Faucet with Vacuum Breaker

Architect/Engineering Specifications:

Single hole, single temperature wall mount faucet with polished chrome plated brass body, vacuum breaker with male garden hose outlet, compression cartridge with spring check, key or screwdriver controlled handle and 3/4" NPT female inlet. Certified to ASME A112.18.1/CSA B125.1, NSF 61-Section 9 and NSF 372.

Job Name _____
 Model Specified _____ Quantity _____
 Variations Specified _____
 Date _____



Features & Benefits:

- Single hole, single temperature wall mount faucet with polished chrome plated brass body
- Vacuum breaker w/ male garden hose outlet
- Eterna compression cartridge w/ spring check
- Key or screwdriver controlled handle
- 3/4" NPT female inlet with $\varnothing 2"$ flange
- Material: Polished chrome plated brass body

Product Compliance:

- ASME A112.18.1 / CSA B125.1
- NSF 61 - Section 9
- NSF 372 (Low Lead Content)
- ASSE 1011 (VB)

Warranty: One Year (Limited)

Performance Data:

- Pressure: 20 - 125 psi [1.38 - 8.62 bar]
- Temperature: 40 °F - 140 °F [4.44 °C - 60 °C]
- Flow Rate: 9.10 GPM [34.45 L/min] @ 60 psi [4.14 bar]



Optional Handles

- 4" Wrist Action
- Lever
- 4-Arm

Optional Cartridges

- Quarter-Turn Cerama w/ Check Valve
- Quarter-Turn Eterna w/ Spring Check



T&S BRASS AND BRONZE WORKS, INC.



• 2 Saddleback Cove • Travelers Rest, SC 29690
 Ph 800-476-4103 • Fax 864-834-3518
 • Simi Valley, CA • Ph 800-423-0150 • www.tsbrass.com

Date: 01/11/23