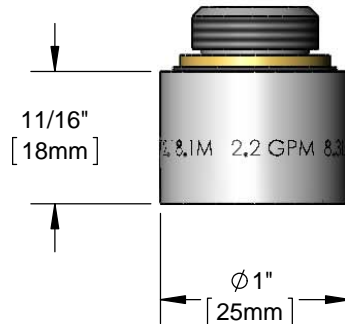




Architect/Engineering Specifications:

Vandal resistant 2.2 GPM aerator with polished chrome plated brass body and 3/8" NPSM male inlet. Certified to ASME A112.18.1/CSA B125.1, NSF 61-Section 9 and NSF 372.

Job Name _____
 Model Specified _____ Quantity _____
 Variations Specified _____
 Date _____



Features & Benefits:

- Vandal resistant 2.2 GPM Aerator w/ VR key & polished chrome plated brass body
- 3/8" NPSM male inlet, Series 7
- Washer included
- Material: Polished chrome plated brass body

Product Compliance:

- ASME A112.18.1 / CSA B125.1
- NSF 61 - Section 9
- NSF 372 (Low Lead Content)

Warranty: One Year (Limited)

Performance Data:

- Pressure: 20 - 125 psi
- Temperature: 40 °F - 140 °F
- Flow Rate: 2.2 GPM @ 60 psi

