

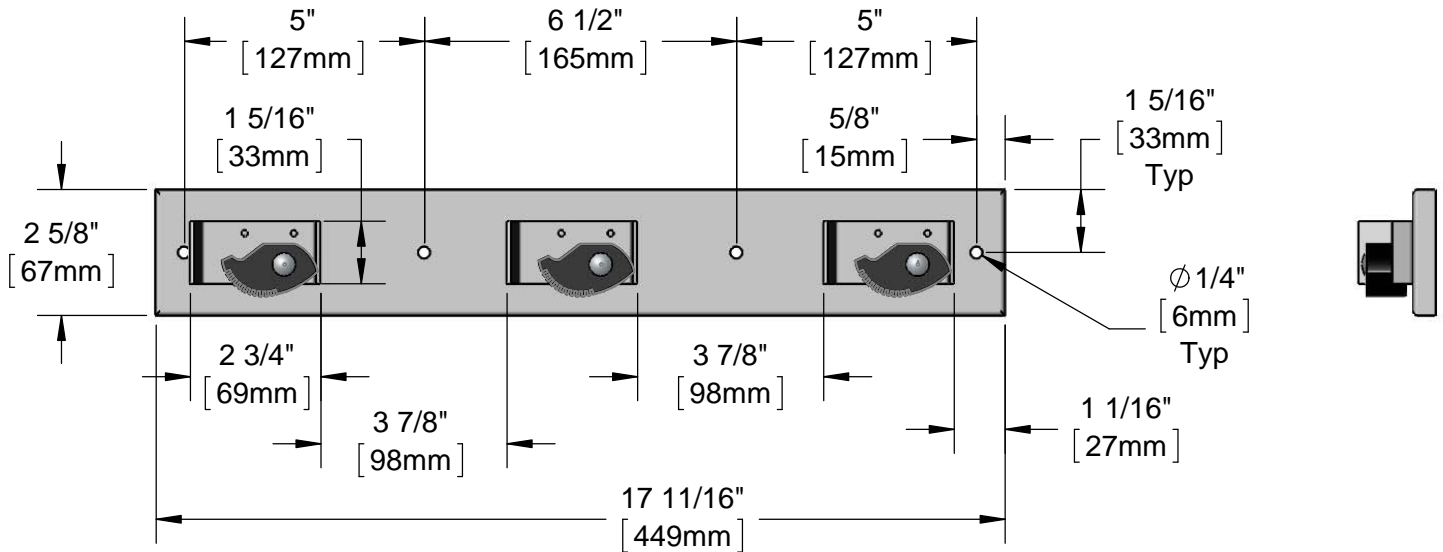
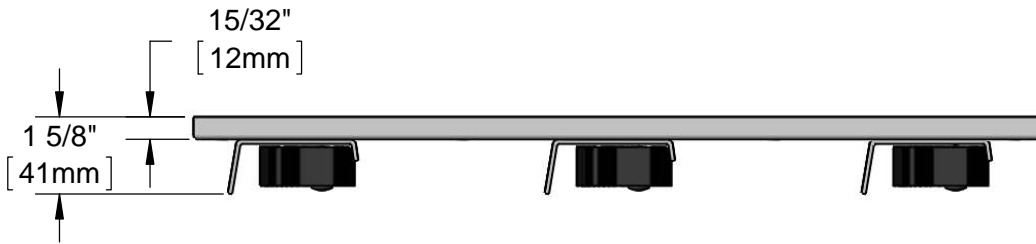
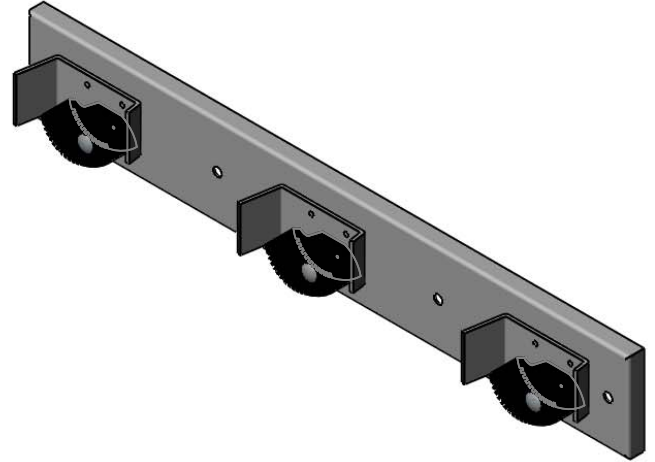


T&S BRASS AND BRONZE WORKS, INC.
 2 Saddleback Cove / P.O. Box 1088
 Travelers Rest, SC 29690

Model No.
B-0653

Item No.

Travelers Rest, SC: 800-476-4103 • Simi Valley, CA: 800-423-0150 • Fax: 864-834-3518 • www.tsbrass.com



Product Specifications:
 Stainless Steel Mop Hanger, (3) Spring-Loaded Rubber Grips

Drawn
KJG

Checked
JRM

Approved
JHB

Scale:
NTS

Date:
05/14/15