



Architect/Engineering Specifications:

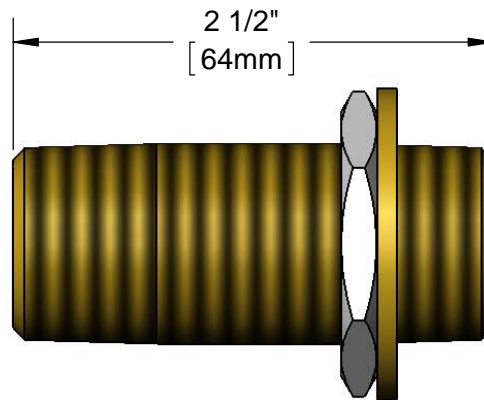
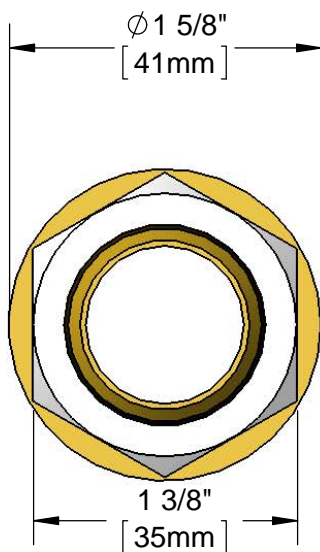
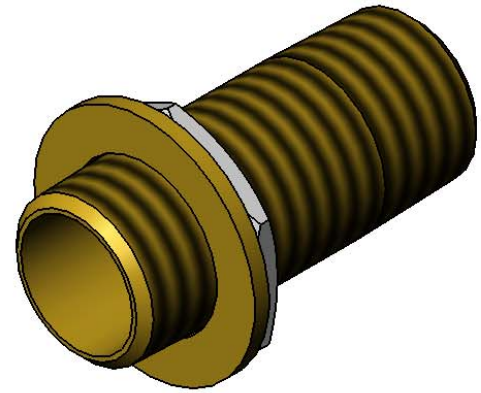
3/4" NPT inlet and outlet supply nipple with 3/4" lock washer and 3/4" locknut. Certified to ASME A112.18.1/CSA B125.1, NSF 61-Section 9 and NSF 372.

Job Name _____

Model Specified _____ Quantity _____

Variations Specified _____

Date _____



Features & Benefits:

- 3/4" NPT inlet and outlet supply nipple
- 3/4" lock washer
- 3/4" locknut
- Material: Brass

Product Compliance:

- ASME A112.18.1 / CSA B125.1
- NSF 61 - Section 9
- NSF 372 (Low Lead Content)



Warranty: One Year (Limited)

Performance Data:

- Pressure: 20 - 125 psi
- Temperature: 40 °F - 140 °F
- Flow Rate: 52.30 GPM @ 60 psi

