



Architect/Engineering Specifications:

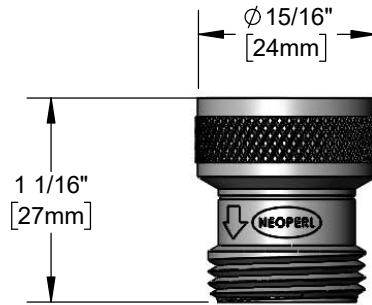
Chrome plated brass flow regulator adapter with G1/2 female inlet, G1/2 male outlet and 0.26 GPM flow regulator. Certified to NSF 61-Section 9 and NSF 372

Job Name _____

Model Specified _____ Quantity _____

Variations Specified _____

Date _____



Features & Benefits:

- Chrome plated brass adapter body
- G1/2 (1/2" BSPP) female inlet
- G1/2 (1/2" BSPP) male outlet
- 0.26 GPM [1.0 L/min] flow regulator
- Material: Chrome plated brass body

Product Compliance:

- NSF 61 - Section 9
- NSF 372 (Low Lead Content)



Warranty: One Year (Limited)



Performance Data:

- Pressure: 20 - 125 psi [1.38 - 8.62 bar]
- Temperature: 40 °F - 140 °F [4.44 °C - 60 °C]
- Flow Rate: 0.26 GPM [1.0 L/min] @ 60 psi [4.14 bar]

