



Architect/Engineering Specifications:

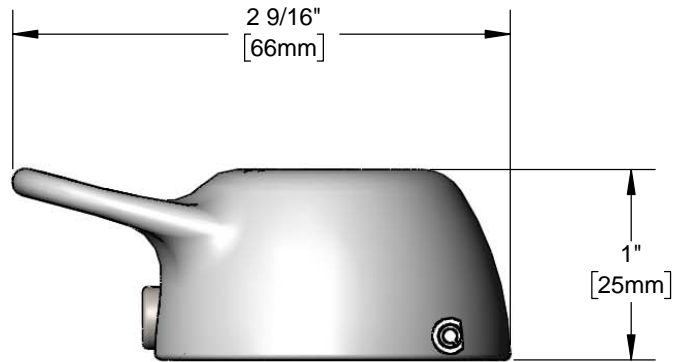
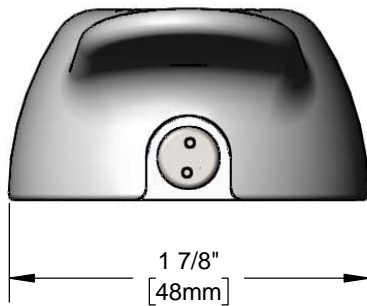
Chrome plated metal handle with retaining nut and spanner bit. Use with pivot action metering faucets.

Job Name _____

Model Specified _____ Quantity _____

Variations Specified _____

Date _____



Features & Benefits:

- Chrome plated handle, hot
- Use with pivot action metering faucets
- Retaining nut included
- Spanner bit included
- Material: Chrome plated metal

Product Compliance:

- N/A

Warranty: One Year (Limited)

Performance Data:

- N/A

