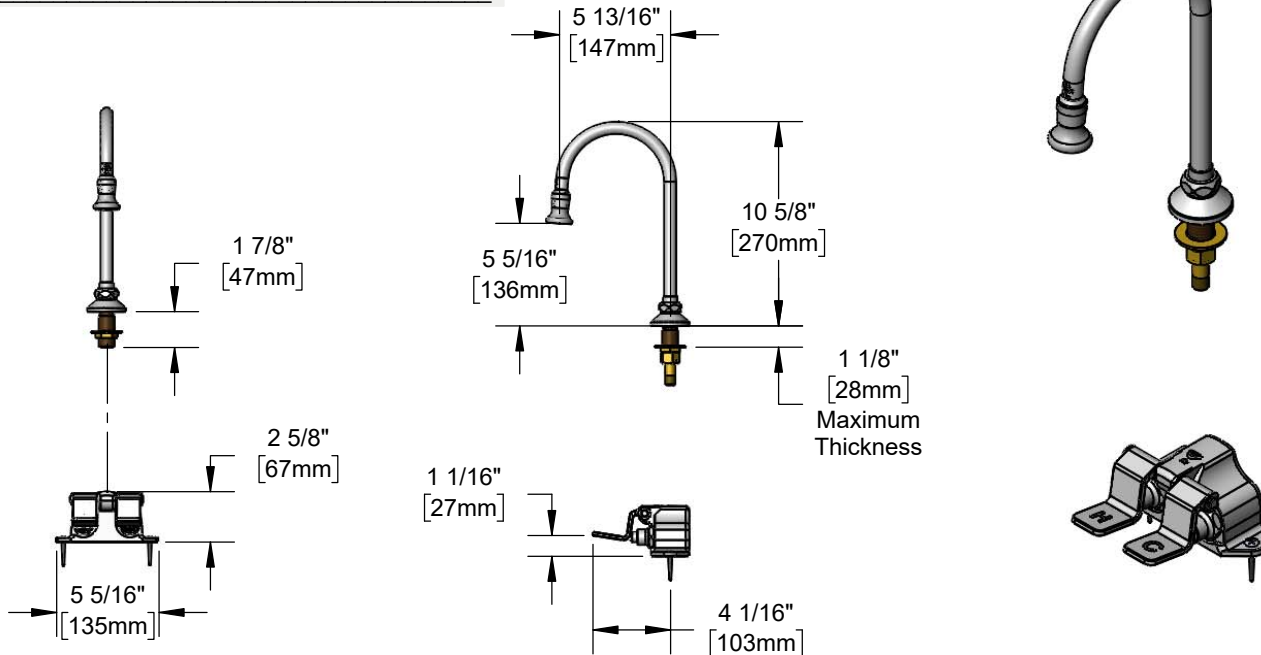




Architect/Engineering Specifications:

Floor mounted double pedal valve, rigid/swivel dummy gooseneck, polished chrome plated brass body and gooseneck with 2.2 GPM rosespray outlet, 1/2" NPSM male inlet and 1/2" NPT check valves. Certified to ASME A112.18.1/CSA B125.1, NSF 61-Section 9 and NSF 372.

Job Name _____
 Model Specified _____ Quantity _____
 Variations Specified _____
 Date _____



Features & Benefits:

- Floor mounted double pedal valve w/ polished chrome plated brass body
- Deck mount rigid/swivel dummy gooseneck for remote locations
- 5 13/16" rigid/swivel gooseneck
- Lock washer provided for rigid application
- 2.2 GPM Rosespray outlet, Series 1
- 1/2" NPSM male inlet w/ ϕ 2" flange
- Tailpiece and nut for 1/4" NPT male connection
- 1/2" NPT check valves included
- Material: Polished chrome plated brass elbow, pedal valve & tubular spout

Product Compliance:

- ASME A112.18.1 / CSA B125.1
- NSF 61 - Section 9
- NSF 372 (Low Lead Content)

Warranty: One Year (Limited)

Performance Data:

- Pressure: 20 - 125 psi
- Temperature: 40 °F - 140 °F
- Flow Rate: 2.2 GPM @ 60 psi

Optional Outlets (Series 1 / VR Series 6)

GPM	Aerated	Non-Aerated (Laminar)	VR Aerated	VR Non-Aerated (VR Laminar)
0.35	N/A	<input type="checkbox"/> B-0199-01-N035	N/A	<input type="checkbox"/> B-0199-06-N035
0.5	N/A	<input type="checkbox"/> B-0199-01-N05	<input type="checkbox"/> B-0199-06-F05	<input type="checkbox"/> B-0199-06-N05
1.0	<input type="checkbox"/> B-0199-01-F10	N/A	<input type="checkbox"/> B-0199-06-F10	N/A
1.2	<input type="checkbox"/> B-0199-01-F12	<input type="checkbox"/> B-0199-01-LF12	<input type="checkbox"/> B-0199-06-F12	<input type="checkbox"/> B-0199-06-LF12
1.5	<input type="checkbox"/> B-0199-01-WS	<input type="checkbox"/> B-0199-29	<input type="checkbox"/> B-0199-06-WS	<input type="checkbox"/> B-0199-29VR
2.2	<input type="checkbox"/> B-0199-01	<input type="checkbox"/> B-0199-21	<input type="checkbox"/> B-0199-06	<input type="checkbox"/> B-0199-21-VRF

