



ADA Compliant

This Space for Architect/Engineer Approval

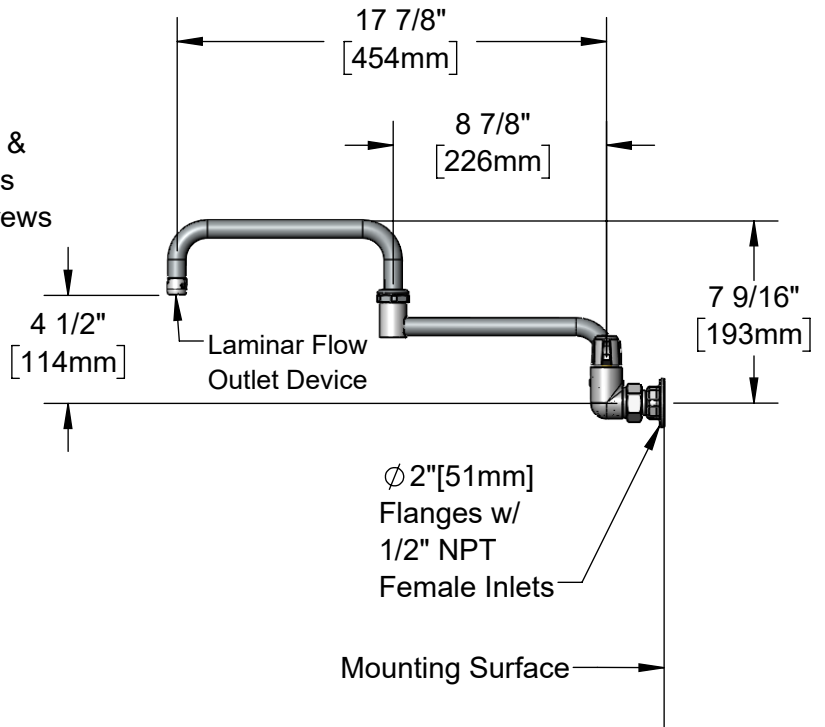
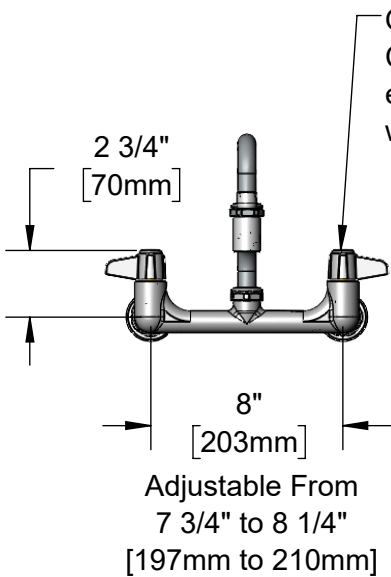
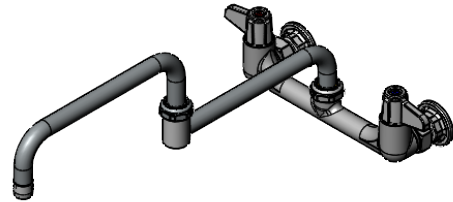
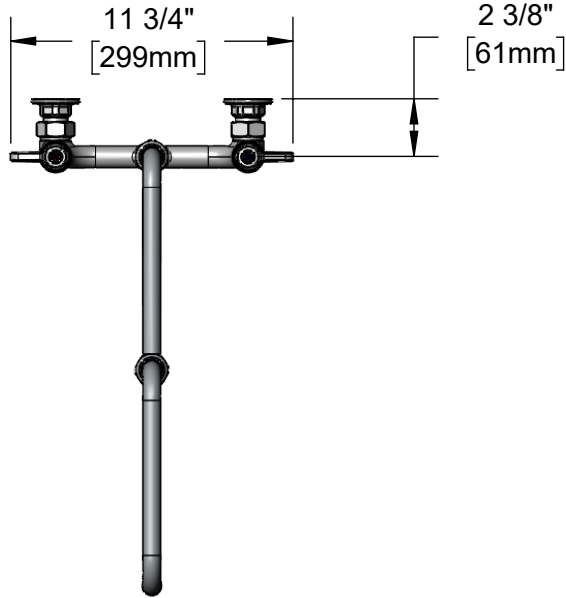
Job Name _____ Date _____

Model Specified _____ Quantity _____

Customer/Wholesaler _____

Contractor _____

Architect/Engineer _____



Model Number

5F-8WXL18DJ

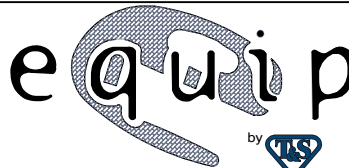
Product Specifications:

8" Wall Mixing Faucet, Quarter-Turn Ceramic Cartridges, 18" Double Joint Swing Nozzle w/ Laminar Flow Device, equip Lever Handles & 1/2" NPT Female Inlets

Product Compliance:

ASME A112.18.1 / CSA B125.1
NSF 61 - Section 9
NSF 372 (Low Lead Content)
ANSI A117.1 (ADA)

equip
Foodservice
Accessories



2 Saddleback Cove, P.O. Box 1088
Travelers Rest, South Carolina 29690
Phone: 800.891.4808 Fax: 800.868.0084
equip.tsbrass.com

Drawn: TRK

Checked: JRM

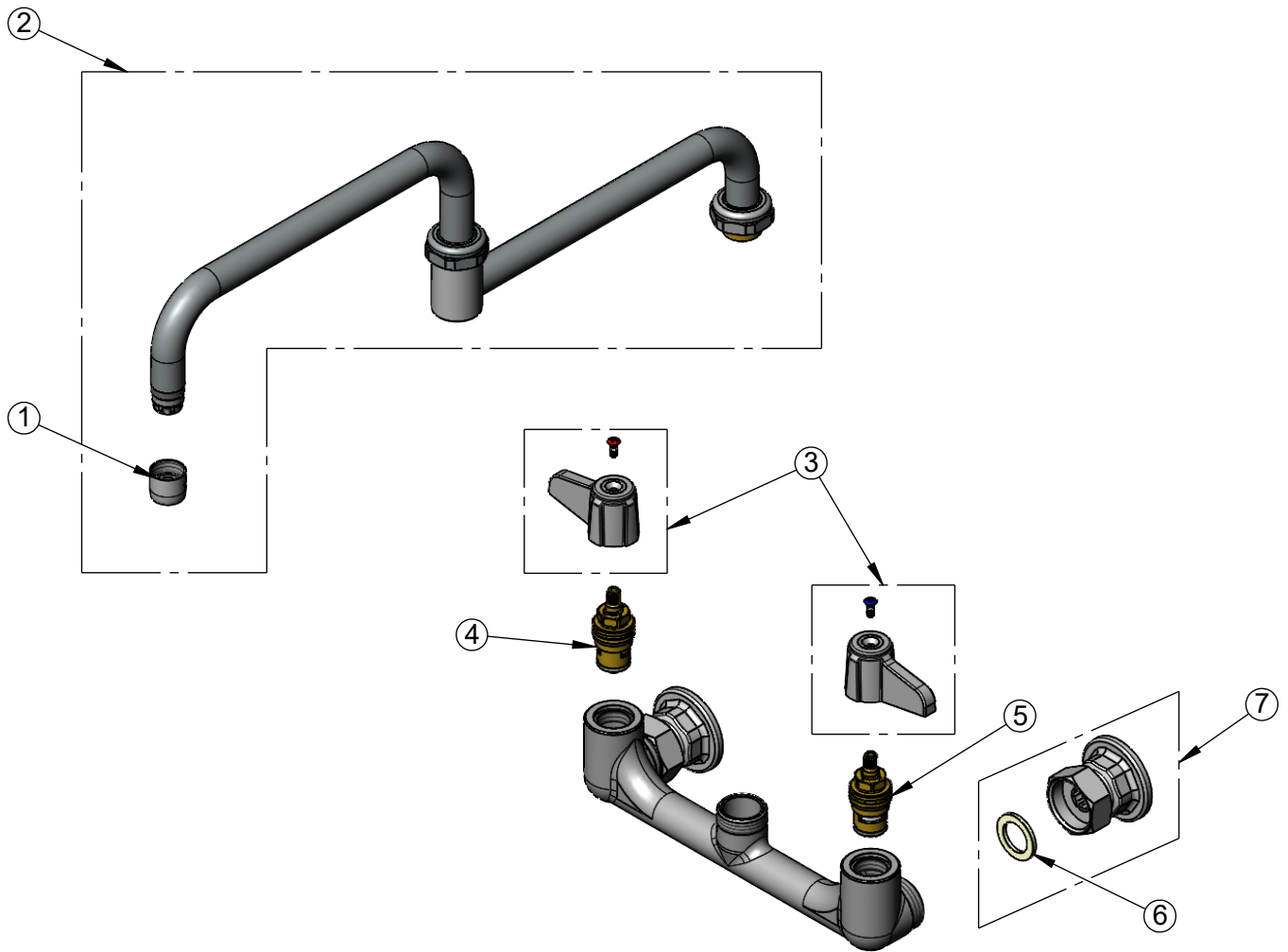
Approved: JHB

Date: 03/11/24

Scale: 1:8

Sheet: 1 of 2

| ITEM | SALES NO. | DESCRIPTION |
|------|-----------|---|
| 1 | 014250-45 | Laminar Full Flow Device |
| 2 | 5DJ-18 | equip 18" Double-Joint Swing Nozzle |
| 3 | 5-HDL-L | equip Lever Handle w/ Color Coded Screws |
| 4 | 013787-45 | equip Quarter-Turn Ceramic Cartridge, RTC |
| 5 | 013788-45 | equip Quarter-Turn Ceramic Cartridge, LTC |
| 6 | 001019-45 | Coupling Nut Washer |
| 7 | 00AA | 1/2" NPT Flange Assembly |



Model Number

5F-8WLX18DJ

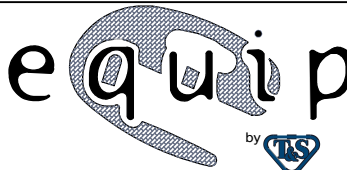
Product Specifications:

8" Wall Mixing Faucet, Quarter-Turn Ceramic Cartridges, 18" Double Joint Swing Nozzle w/ Laminar Flow Device, equip Lever Handles & 1/2" NPT Female Inlets

Product Compliance:

ASME A112.18.1 / CSA B125.1
 NSF 61 - Section 9
 NSF 372 (Low Lead Content)
 ANSI A117.1 (ADA)

equip
 Foodservice
 Accessories



2 Saddleback Cove, P.O. Box 1088
 Travelers Rest, South Carolina 29690
 Phone: 800.891.4808 Fax: 800.868.0084
 equip.tsbrass.com