



Architect/Engineering Specifications:

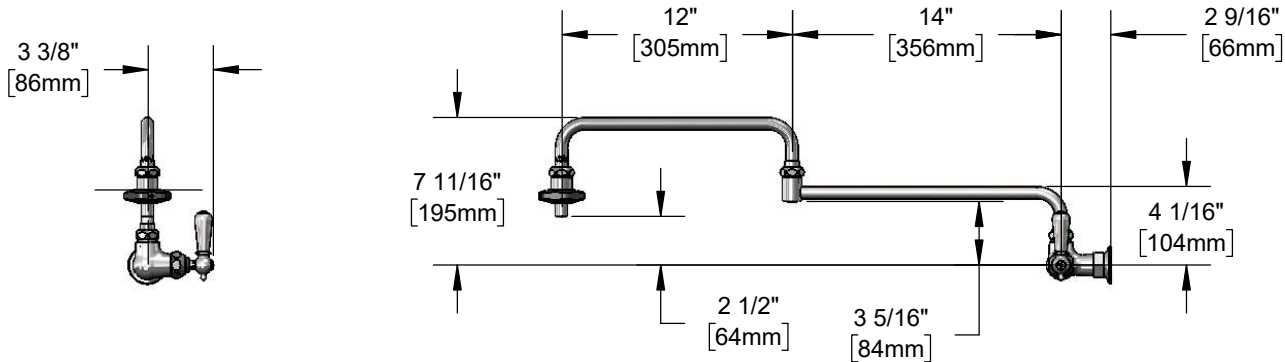
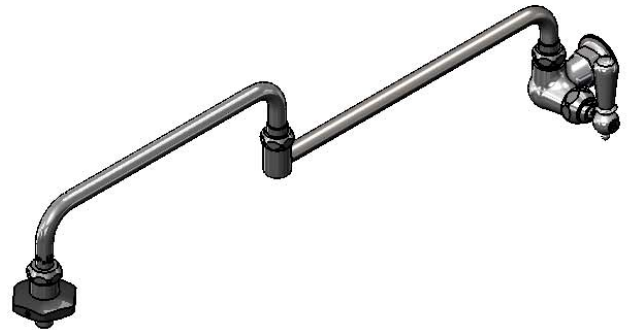
Wall mount pot filler faucet with polished chrome plated brass body, 26" double joint swing nozzle, on-off volume control outlet with insulated grip, compression cartridge with spring check, decorative club handle and 1/2" NPT female inlet. Certified to ASME A112.18.1/CSA B125.1, NSF 61-Section 9 and NSF 372.

Job Name _____

Model Specified _____ Quantity _____

Variations Specified _____

Date _____



Features & Benefits:

- Wall mount pot filler faucet
- 26" double joint swing nozzle
- Lock washer provided for rigid application
- On-off volume control outlet with insulated grip
- Quarter-Turn Eterna compression cartridge w/ spring check
- Decorative club handle with chrome plated cold index
- 1/2" NPT female inlet w/ \varnothing 2" flange
- Material: Polished chrome plated brass body, tubular nozzle and heat resistant thermoplastic handle

Product Compliance:

- ASME A112.18.1 / CSA B125.1
- NSF 61 - Section 9
- NSF 372 (Low Lead Content)



Warranty: One Year (Limited)

Performance Data:

- Pressure: 20 - 125 psi
- Temperature: 40°F - 140°F
- Flow Rate: 4.24 GPM @ 60 psi

Optional Handles

- 4" Wrist Action
- Lever
- 4-Arm

Optional Cartridges With Checks

- Quarter-Turn Cerama w/ Check Valve
- Quarter-Turn Eterna w/ Spring Check (Standard)

