



# T&S BRASS AND BRONZE WORKS, INC.

2 Saddleback Cove / P.O. Box 1088  
Travelers Rest, SC 29690

Model No.

**BF-0592**

Item No.

Travelers Rest, SC: 800-476-4103 • Simi Valley, CA: 800-423-0150 • Fax: 864-834-3518 • www.tsbrass.com

This Space for Architect/Engineer Approval

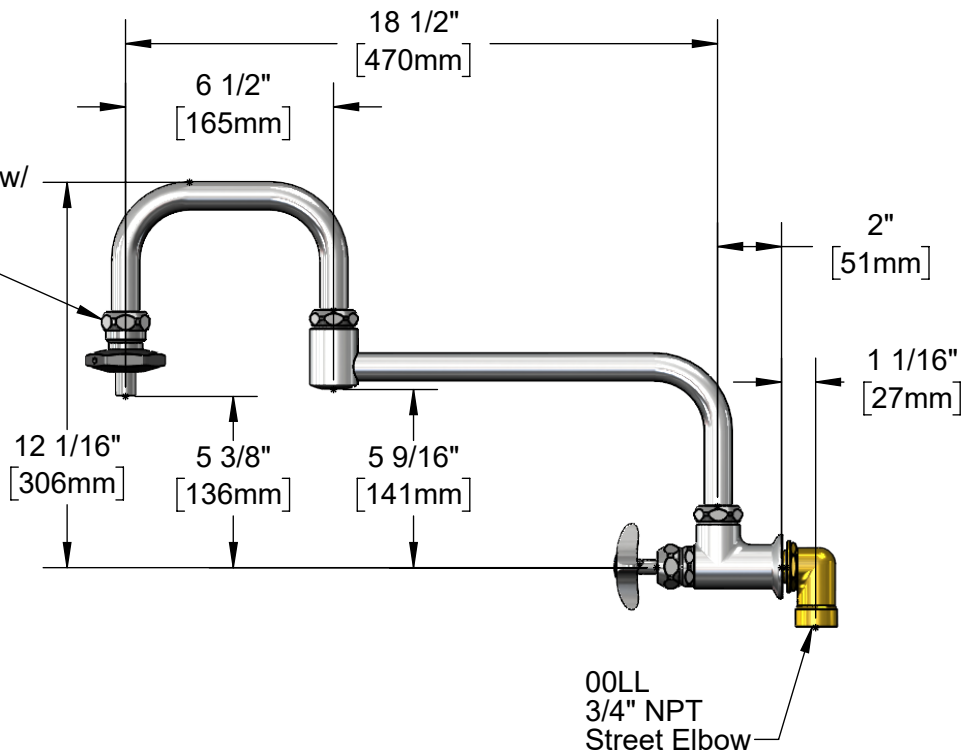
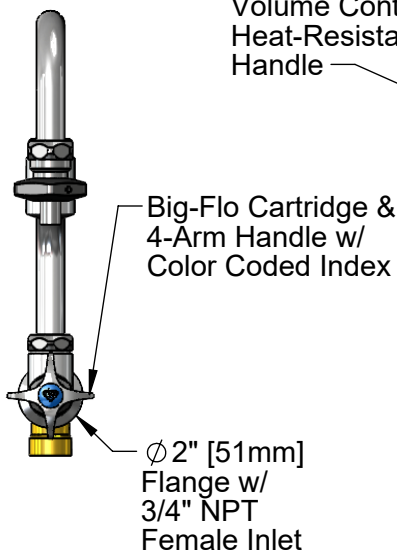
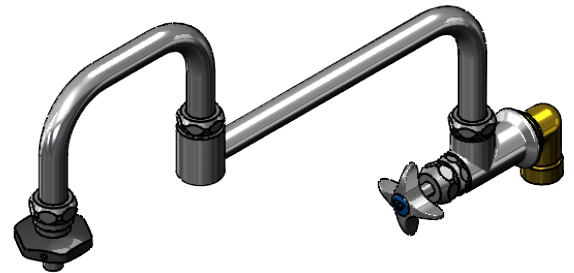
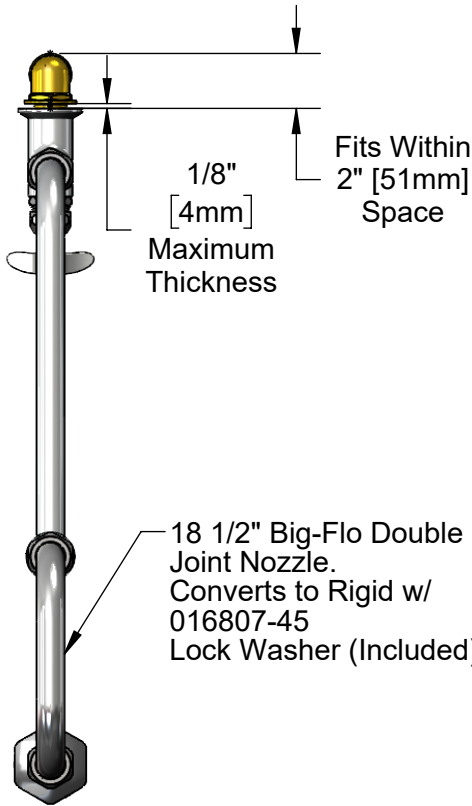
Job Name \_\_\_\_\_ Date \_\_\_\_\_

Model Specified \_\_\_\_\_ Quantity \_\_\_\_\_

Customer/Wholesaler \_\_\_\_\_

Contractor \_\_\_\_\_

Architect/Engineer \_\_\_\_\_



Rough-In Requirement:  
Ø 1 1/4" [32mm] Hole

Product Specifications:  
Single Hole Wall Mount Big-Flo Faucet w/ 18 1/2" Double Joint Nozzle, On-Off Volume Control w/ Heat Resistant Handle, 4-Arm Handle & 3/4" NPT Street Elbow

Product Compliance:  
ASME A112.18.1 / CSA B125.1  
NSF 61 - Section 9  
NSF 372 (Low Lead Content)



# T&S BRASS AND BRONZE WORKS, INC.

2 Saddleback Cove / P.O. Box 1088  
Travelers Rest, SC 29690

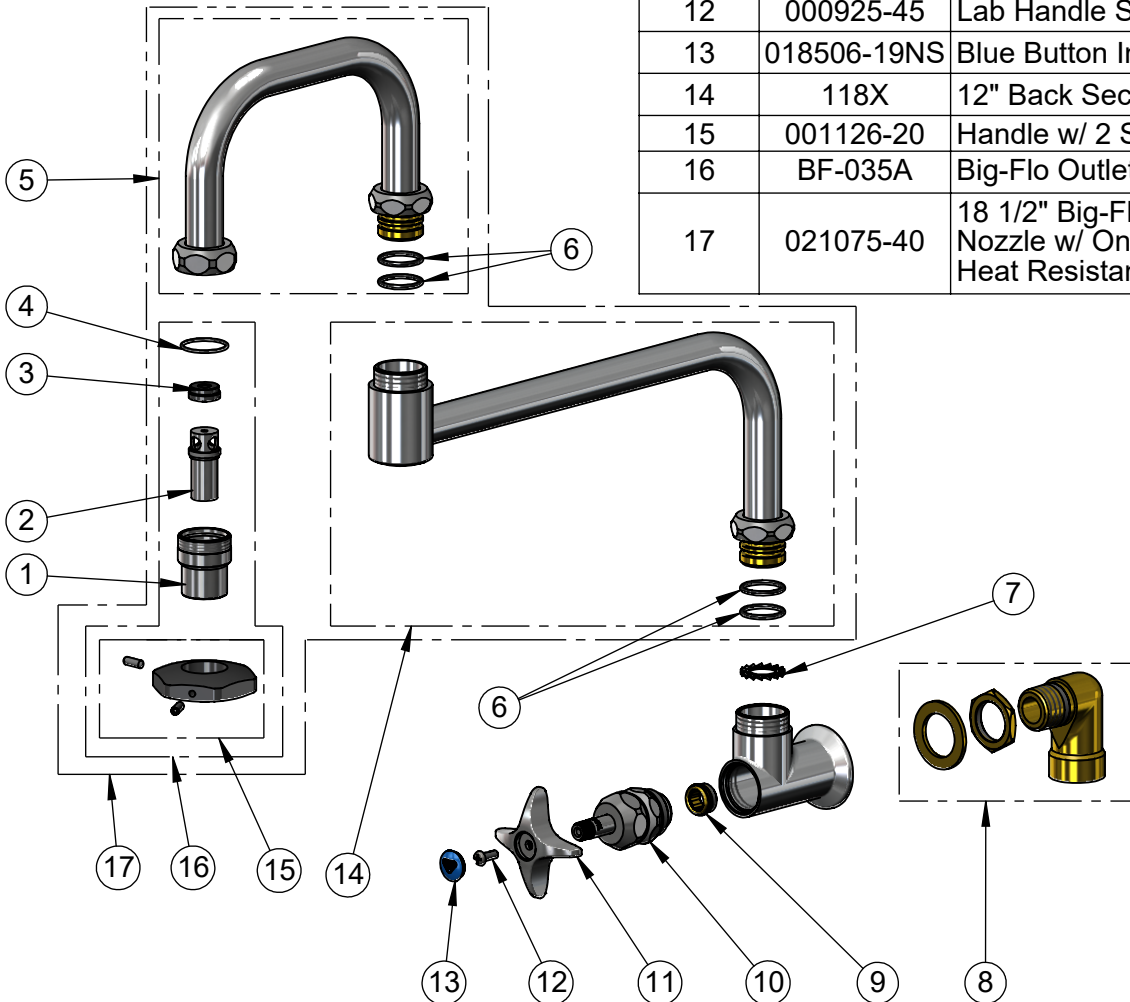
Model No.

**BF-0592**

Item No.

Travelers Rest, SC: 800-476-4103 • Simi Valley, CA: 800-423-0150 • Fax: 864-834-3518 • www.tsbrass.com

ITEM NO.	SALES NO.	DESCRIPTION
1	021070-25	BF-0592 Spout Body
2	001498-25	Spout
3	001089-45	Seal
4	001065-45	O-Ring
5	021073-40	6 1/2" Big-Flo Front Section, BF-0592
6	001068-45	O-ring
7	016807-45	Serrated Lock Washer
8	00LL	3/4" NPT Street Elbow Inlet
9	000764-20	Seat, Big-Flo
10	006482-40NS	Big-Flo Cartridge, RTC
11	002521-45NS	4-Arm Handle (New Style)
12	000925-45	Lab Handle Screw
13	018506-19NS	Blue Button Index, Press-in
14	118X	12" Back Section
15	001126-20	Handle w/ 2 Set Screws
16	BF-035A	Big-Flo Outlet
17	021075-40	18 1/2" Big-Flo Double Joint Swing Nozzle w/ On-Off Volume Control & Heat Resistant Handle



**Product Specifications:**

Single Hole Wall Mount Big-Flo Faucet w/ 18 1/2" Double Joint Nozzle, On-Off Volume Control w/ Heat Resistant Handle, 4-Arm Handle & 3/4" NPT Street Elbow

**Product Compliance:**

ASME A112.18.1 / CSA B125.1  
NSF 61 - Section 9  
NSF 372 (Low Lead Content)