



**T&S BRASS AND BRONZE WORKS, INC.**  
 2 Saddleback Cove / P.O. Box 1088  
 Travelers Rest, SC 29690

Model No.  
**EC-3142-ST-VF05**

Item No.

Travelers Rest, SC: 800-476-4103 • Simi Valley, CA: 800-423-0150 • Fax: 864-834-3518 • www.tsbrass.com



**ADA Compliant**



This Space for Architect/Engineer Approval

Job Name \_\_\_\_\_ Date \_\_\_\_\_

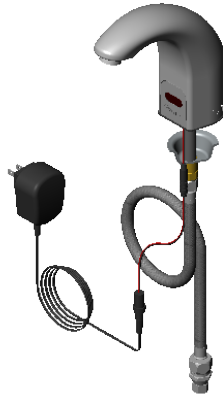
Model Specified \_\_\_\_\_ Quantity \_\_\_\_\_

Customer/Wholesaler \_\_\_\_\_

Contractor \_\_\_\_\_

Architect/Engineer \_\_\_\_\_

Ø 2 1/2"  
[64mm]



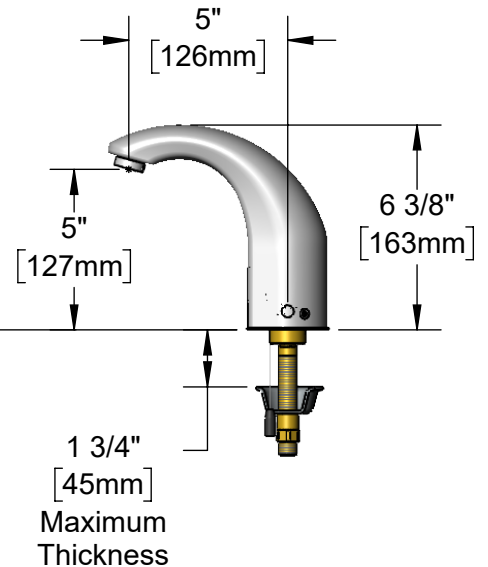
Internal Above Deck  
 Electronics w/ Flow  
 Control Setting Switches.  
 Powered w/ 6 VDC  
 Lithium Battery.

Cast Spout w/  
 0.5 GPM [1.9 L/min]  
 Vandal Resistant  
 Non-Aerated Spray  
 Device

Removable  
 Anti-Rotation Pin

Mounting  
 Surface

13/16"  
[21mm]



100-240 VAC Adapter w/  
 72" [1830mm] Power Cord

18" [457mm] Flexible  
 Stainless Steel Supply Hose  
 w/ 1/2" NPSM Swivel End &  
 Filter Washer

Check Valve Adapter  
 w/ 3/8" Compression  
 (9/16-24 UN) Inlet

**Rough-In Requirement:**

Ø 1 1/4" [32mm] Mounting Hole

Ø 3/16" [5mm] Anti-Rotation Pin Hole (Optional)

**Product Specifications:**

Chrome Plated Brass Above Deck Electronics Faucet, Single Hole Single Temperature Deck Mount, Cast Spout w/ 0.5 GPM VR Non-Aerated Spray Device, Battery or AC Adapter Powered, Stainless Steel Flexible Supply Line & 3/8" Compression Inlet

**Product Compliance:**

ASME A112.18.1 / CSA B125.1  
 NSF 61 - Section 9  
 NSF 372 (Low Lead Content)  
 ANSI A117.1 (ADA)  
 UL 1951



# T&S BRASS AND BRONZE WORKS, INC.

2 Saddleback Cove / P.O. Box 1088  
Travelers Rest, SC 29690

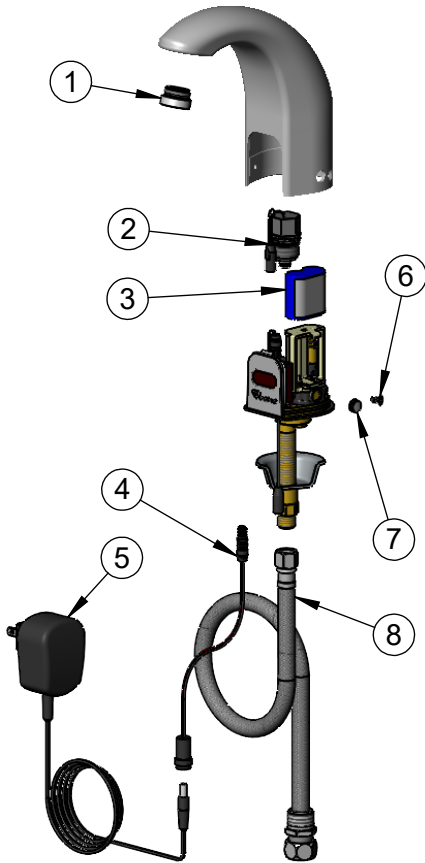
Model No.

**EC-3142-ST-VF05**

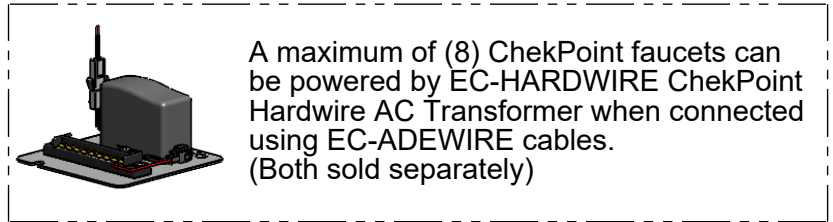
Item No.

Travelers Rest, SC: 800-476-4103 • Simi Valley, CA: 800-423-0150 • Fax: 864-834-3518 • www.tsbrass.com

ITEM NO.	SALES NO.	DESCRIPTION
1	B-0199-08-N05	0.5 GPM VR Non-Aerated Spray Device, 13/16-27 Male w/ Key
2	020330-45	Solenoid Valve, M22 x 2 Male Thd
3	019087-45	6VDC Lithium Battery, CR-P2
* 4	020417-45	Aux. Power Connector Cable
* 5	5EF-0002C	AC Adapter - US Plug
6	020270-45	Body Screw w/ L-Key
* 7	020426-45	Single Temp Body Plug
* 8	018544-45	SS Flex Hose w/ Check Valve Adapter



\* For Versions Prior to 2024, Consult with T&S Customer Service



020760-45  
Sensor Range  
Set-Up Magnet



015425-45  
VR Aerator Key



018543-45  
Torx T-20 VR L-Key

Flow Control Switches are Located Behind the Sensor.  
Remove Battery to Access Switches.

\* Switches are set to DEFAULT position:

- Auto Time Out = 15 seconds
- Shut Off Delay = 1 second
- Auto Flush = OFF
- Metering Mode = OFF

\* Available Water Flow Control Selections:

- Auto Time Out: 15 sec, 30 sec, 45 sec, 60 sec, 3 min, 20 min
- Shut Off Delay: 1 sec, 10 sec, 15 sec, 30 sec
- Auto Flush (30 Seconds After Every 12 Inactive Hours): ON or OFF
- Metering Mode: ON or OFF

**Product Specifications:**

Chrome Plated Brass Above Deck Electronics Faucet, Single Hole Single Temperature Deck Mount, Cast Spout w/ 0.5 GPM VR Non-Aerated Spray Device, Battery or AC Adapter Powered, Stainless Steel Flexible Supply Line & 3/8" Compression Inlet

**Product Compliance:**

ASME A112.18.1 / CSA B125.1  
NSF 61 - Section 9  
NSF 372 (Low Lead Content)  
ANSI A117.1 (ADA)  
UL 1951