



T&S BRASS AND BRONZE WORKS, INC.

2 Saddleback Cove / P.O. Box 1088
Travelers Rest, SC 29690

Model No.

EC-3130-8DP

Item No.

Travelers Rest, SC: 800-476-4103 • Simi Valley, CA: 800-423-0150 • Fax: 864-834-3518 • www.tsbrass.com



ADA Compliant



This Space for Architect/Engineer Approval

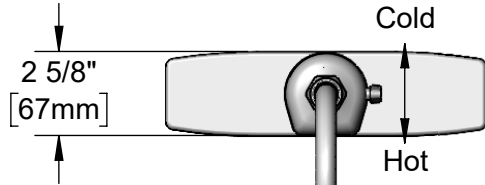
Job Name _____ Date _____

Model Specified _____ Quantity _____

Customer/Wholesaler _____

Contractor _____

Architect/Engineer _____

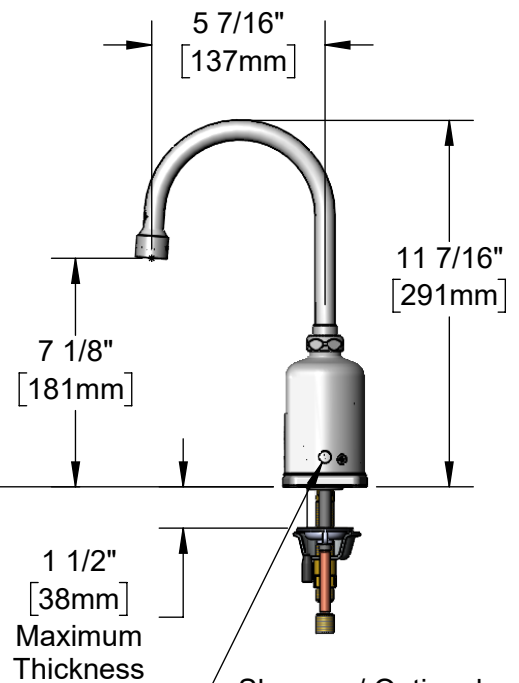


Internal Above Deck Electronics w/ Flow Control Setting Switches. Powered w/ 6 VDC Lithium Battery.

Polished Chrome Plated Deck Plate w/ Deck Gasket

Swivel Gooseneck w/ 2.2 GPM [8.3 L/min] Vandal Resistant Aerator. Rigid Conversion Requires 014200-45 Lock Washer (Included)

Temperature Mixing Handle w/ Color Coded Index (Optional Plug Included to Replace Handle When Temperature is Preset)



Shown w/ Optional Plug Installed When Water Temperature is Preset (Included)

10" [254mm]

Mounting Surface

8" [203mm]

100-240 VAC Adapter w/ 72" [1830mm] Power Cord

18" [457mm] Flexible Stainless Steel Supply Hoses

1/2" NPSM Swivel Ends w/ Filter Washers

Check Valve Adapters w/ 3/8" Compression (9/16-24 UN) Inlets

Rough-In Requirement:

- Ø 1 1/4" [32mm] Center Mounting Hole
- (2) Ø 1 1/8" [29mm] Side Mounting Holes

Product Specifications:

Chrome Plated Brass Above Deck Electronics Faucet, Deck Mount, 8" c/c Deck Plate, Swivel/Rigid Gooseneck, 2.2 GPM VR Aerator, Point-of-Use Temperature Control, Battery or AC Adapter Powered, Stainless Steel Flexible Supply Lines & 3/8" Compression Inlets

Product Compliance:

ASME A112.18.1 / CSA B125.1
NSF 61 - Section 9
NSF 372 (Low Lead Content)
ANSI A117.1 (ADA)
UL 1951



T&S BRASS AND BRONZE WORKS, INC.

2 Saddleback Cove / P.O. Box 1088
Travelers Rest, SC 29690

Model No.

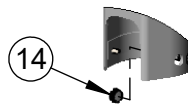
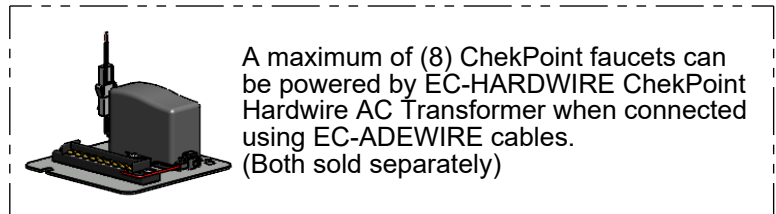
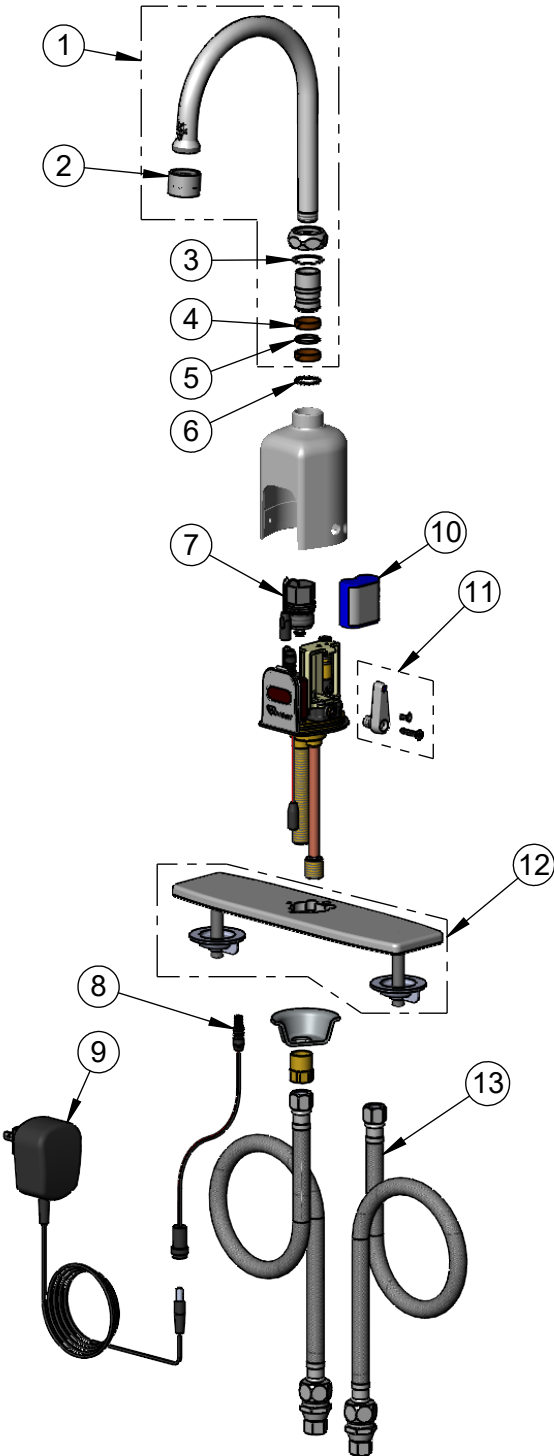
EC-3130-8DP

Item No.

Travelers Rest, SC: 800-476-4103 • Simi Valley, CA: 800-423-0150 • Fax: 864-834-3518 • www.tsbrass.com

ITEM NO.	SALES NO.	DESCRIPTION
1	018490-40	Swivel Gooseneck w/ VR 2.2 GPM Aerator
2	B-0199-06	VR 2.2 GPM Aerator, 55/64-27 Female w/ Key
3	009538-45	Swivel Washer
4	011429-45	Swivel Sleeves (2)
5	001074-45	O-Ring
6	014200-45	Star Washer, Anti-Rotation
7	020330-45	Solenoid Valve, M22 x 2 Male Thd
* 8	020417-45	Aux. Power Connector Cable
* 9	5EF-0002C	AC Adapter - US Plug
10	019087-45	6VDC Lithium Battery, CR-P2
* 11	020270-45	Lever Asm & Body Screw Kit w/ L-Key
12	013434-40	8" Universal Deck Plate & Hardware Kit
13	018544-45	SS Flex Hose w/ Check Valve Adapter
* 14	020426-40	Body Plug, Pre-Set Temperature

* For Versions Prior to 2024, Consult with T&S Customer Service



Optional Plug When Pre-setting Temperature (Installs from Inside of Body)



020760-45 Sensor Range Set-Up Magnet



015425-45 VR Aerator Key



018543-45 Torx T-20 VR L-Key

Flow Control Switches are Located Behind the Sensor. Switches are set to DEFAULT position:

- Auto Time Out = 15 seconds
- Shut Off Delay = 1 second
- Auto Flush = OFF
- Metering Mode = OFF

Available Water Flow Control Selections:

- Auto Time Out: 15 sec, 30 sec, 45 sec, 60 sec, 3 min, 20 min
- Shut Off Delay: 1 sec, 10 sec, 15 sec, 30 sec
- Auto Flush (30 Seconds After Every 12 Inactive Hours): ON or OFF
- Metering Mode = ON or OFF

Product Specifications:

Chrome Plated Brass Above Deck Electronics Faucet, Deck Mount, 8" c/c Deck Plate, Swivel/Rigid Gooseneck, 2.2 GPM VR Aerator, Point-of-Use Temperature Control, Battery or AC Adapter Powered, Stainless Steel Flexible Supply Lines & 3/8" Compression Inlets

Product Compliance:

ASME A112.18.1 / CSA B125.1
NSF 61 - Section 9
NSF 372 (Low Lead Content)
ANSI A117.1 (ADA)
UL 1951