

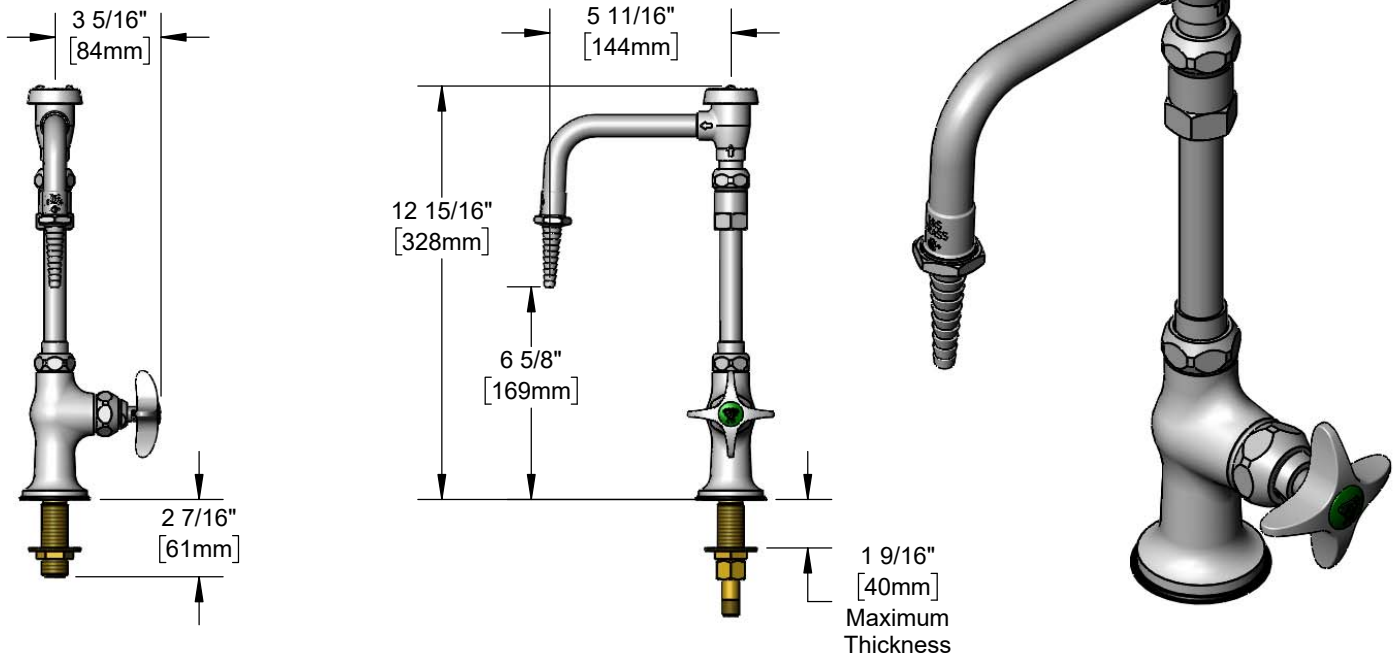


*Laboratory Single Ledge Faucet*

**Architect/Engineering Specifications:**

Single hole deck mount mixing faucet with polished chrome plated brass body, polished chrome plated swing nozzle with vacuum breaker and serrated tip outlet with 0.5 GPM flow control, compression cartridge with spring check, 4-arm lab and 1/2" NPSM male inlet. Certified to ASME A112.18.1 / CSA B125.1, NSF 61-Section 9, NSF 372 and ASSE 1001. Meets ADA ANSI/ICC A117.1 requirements.

Job Name \_\_\_\_\_  
 Model Specified \_\_\_\_\_ Quantity \_\_\_\_\_  
 Variations Specified \_\_\_\_\_  
 Date \_\_\_\_\_



**Features & Benefits:**

- Single hole single temperature deck mount faucet w/ polished chrome plated brass body
- Polished chrome plated swing nozzle w/ 3/8" NPT vacuum breaker
- Serrated tip outlet w/ 0.5 GPM flow control & washer
- Quarter-turn Eterna compression cartridge w/ spring check
- 4-arm handle w/ color coded index
- 1/2" NPSM male inlet
- Material: Polished chrome plated brass body, tubular spout and handle

**Product Compliance:**

- ASME A112.18.1 / CSA B125.1
- NSF 61 - Section 9
- NSF 372 (Low Lead Content)
- ANSI A117.1 (ADA)
- ASSE 1001 (VB)

**Warranty:** One Year (Limited)

**Performance Data:**

- Pressure: 20 - 125 psi
- Temperature: 40 °F - 140 °F
- Flow Rate: 0.5 GPM @ 60 psi



**ADA Compliant**

**Optional Cartridges With Checks**

- Quarter-Turn Cerama w/ Check Valve
- Quarter-Turn Eterna w/ Spring Check (Standard)

**Optional Handles**

- 4" Wrist Action
- Lever
- 4-Arm (Standard)

