



**Architect/Engineering Specifications:**

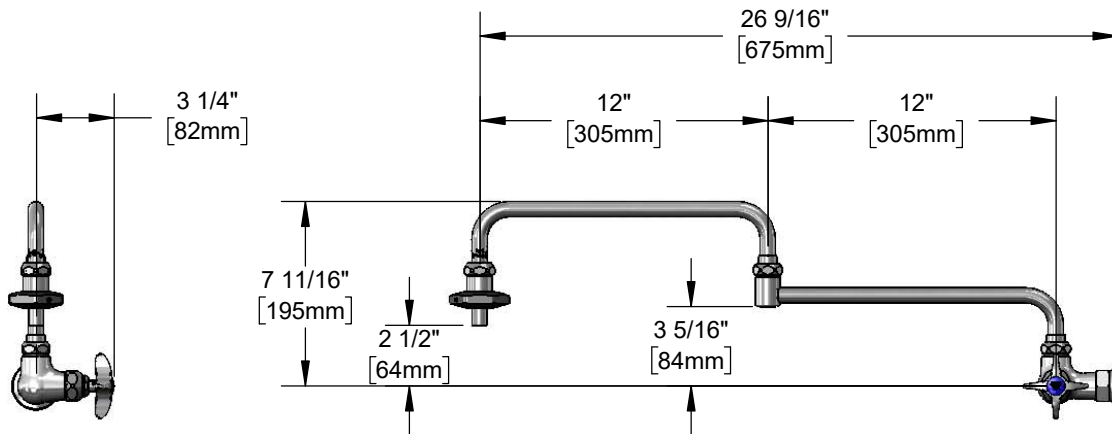
Single temperature wall mounted pot filler faucet with polished chrome plated brass body, 24" double joint swing nozzle, on-off volume control outlet with insulated grip, compression cartridge with spring check, 4-arm handle and 1/2" NPT female inlet. Certified to ASME A112.18.1/CSA B125.1, NSF 61-Section 9 and NSF 372.

Job Name \_\_\_\_\_

Model Specified \_\_\_\_\_ Quantity \_\_\_\_\_

Variations Specified \_\_\_\_\_

Date \_\_\_\_\_



**Features & Benefits:**

- Single temperature wall mounted pot filler faucet
- 24" double joint swing nozzle
- Lock washer provided for rigid application
- On-off volume control outlet with insulated grip
- Quarter-turn Eterna compression cartridge w/ spring check
- 4-arm handle with blue index
- 1/2" NPT female inlet with Ø2" wall flange
- Material: Polished chrome plated brass body & tubular nozzle and heat resistant thermoplastic handle

**Product Compliance:**

- ASME A112.18.1 / CSA B125.1
- NSF 61 - Section 9
- NSF 372 (Low Lead Content)



**Warranty:** One Year (Limited)

**Performance Data:**

- Pressure: 20 - 125 psi
- Temperature: 40 °F - 140 °F
- Flow Rate: 4.24 GPM @ 60 psi

**Optional Handles**

- 4" Wrist Action
- Lever
- 4-Arm (Standard)

**Optional Cartridges With Checks**

- Quarter-Turn Cerama w/ Check Valve
- Quarter-Turn Eterna w/ Spring Check (Standard)

