



T&S BRASS AND BRONZE WORKS, INC.
 2 Saddleback Cove / P.O. Box 1088
 Travelers Rest, SC 29690

Model No.

B-0107-J90

Item No.

Travelers Rest, SC: 800-476-4103 • Simi Valley, CA: 800-423-0150 • Fax: 864-834-3518 • www.tsbrass.com

This Space for Architect/Engineer Approval

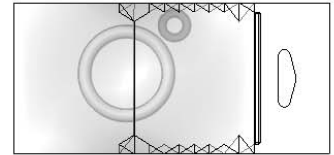
Job Name _____ Date _____

Model Specified _____ Quantity _____

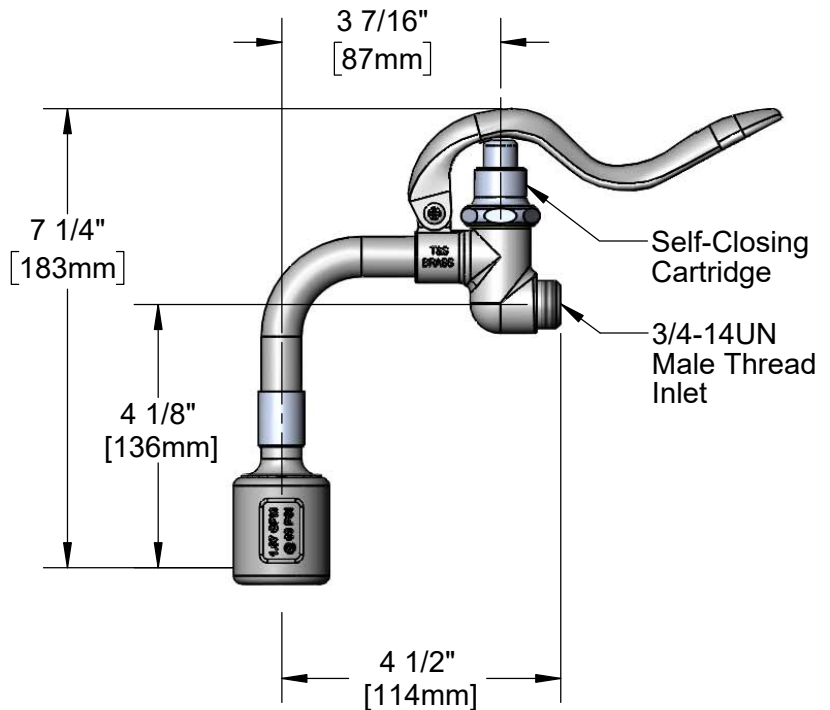
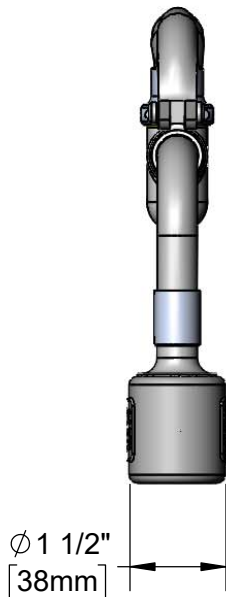
Customer/Wholesaler _____

Contractor _____

Architect/Engineer _____



Hose Washer & Hold Down Ring (Included)



Product Specifications:
 Spray Valve Unit w/ 90 Degree Angle Nozzle, 1.07 GPM

Product Compliance:
 ASME A112.18.1 / CSA B125.1
 NSF 61 - Section 9
 NSF 372 (Low Lead Content)
 2019 DOE PRSV - Class II



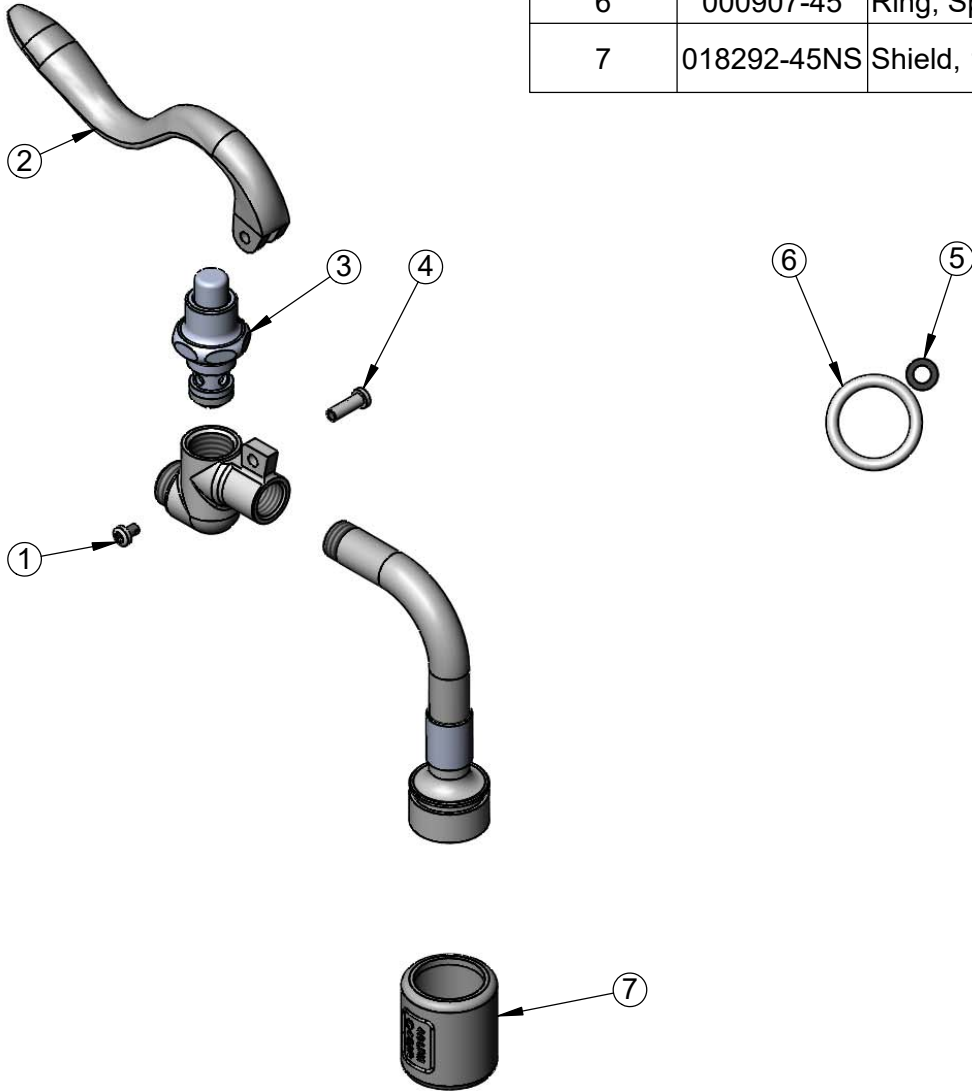
T&S BRASS AND BRONZE WORKS, INC.
 2 Saddleback Cove / P.O. Box 1088
 Travelers Rest, SC 29690

Model No.
B-0107-J90

Item No.

Travelers Rest, SC: 800-476-4103 • Simi Valley, CA: 800-423-0150 • Fax: 864-834-3518 • www.tsbrass.com

ITEM NO.	SALES NO.	DESCRIPTION
1	003199-45	Handle Screw, Spray Valve
2	001120-45	Spray Valve Handle
3	002856-40	Bonnet Asm, Spray Valve
4	003198-45	Handle Nut, Spray Valve
5	010476-45	#27 Washer
6	000907-45	Ring, Spray Valve Hold Down
7	018292-45NS	Shield, 1.07 GPM



Product Specifications:
 Spray Valve Unit w/ 90 Degree Angle Nozzle, 1.07 GPM

Product Compliance:
 ASME A112.18.1 / CSA B125.1
 NSF 61 - Section 9
 NSF 372 (Low Lead Content)
 2019 DOE PRSV - Class II