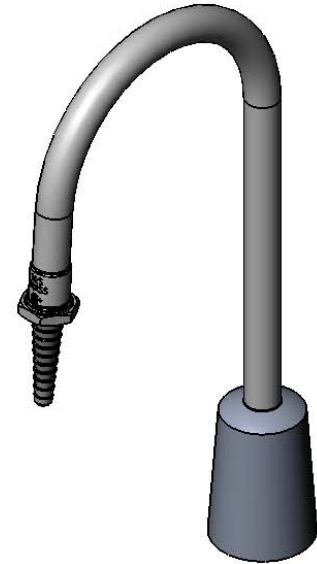
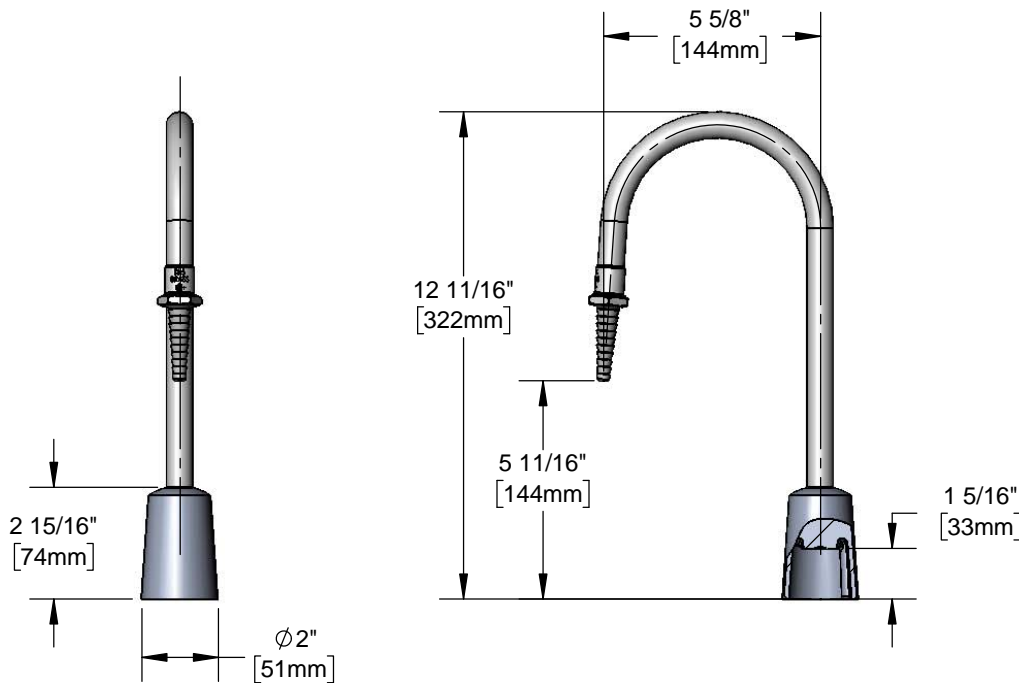




Architect/Engineering Specifications:

Deck mount laboratory turret with polished chrome plated brass body, rigid gooseneck, serrated tip outlet and 3/8" NPT female inlet. Certified to ASME A112.18.1 / CSA B125, NSF 61 - Section 9 and NSF-372.

Job Name _____
 Model Specified _____ Quantity _____
 Variations Specified _____
 Date _____



Features & Benefits:

- Deck mount laboratory turret with polished chrome plated brass body
- 5 5/8" rigid gooseneck
- Serrated tip outlet, fits 1/4" to 3/8" I.D. hoses
- 3/8" NPT female inlet
- Black plastic base gasket
- For use with remote valves
- Material: Polished chrome plated brass body & tubular spout

Product Compliance:

- ASME A112.18.1 / CSA B125.1
- NSF 61 - Section 9
- NSF 372 (Low Lead Content)

Warranty: One Year (Limited)

Performance Data:

- N/A

