



T&S BRASS AND BRONZE WORKS, INC.
 2 Saddleback Cove / P.O. Box 1088
 Travelers Rest, SC 29690

Model No.
B-0605-H

Item No.

Travelers Rest, SC: 800-476-4103 • Simi Valley, CA: 800-423-0150 • Fax: 864-834-3518 • www.tsbrass.com

This Space for Architect/Engineer Approval

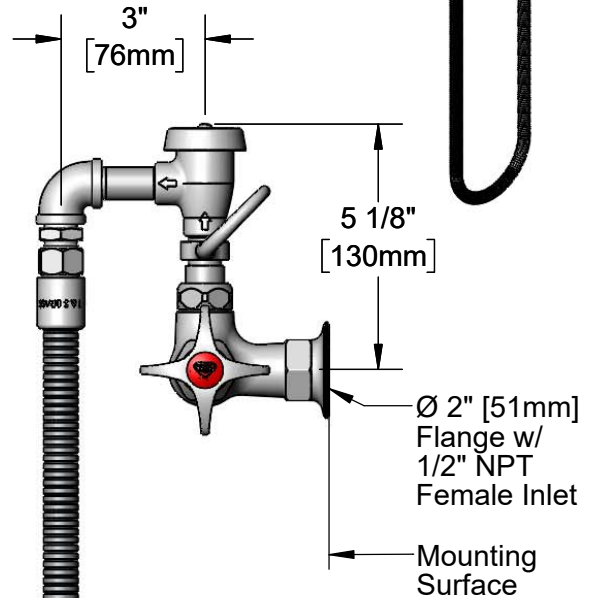
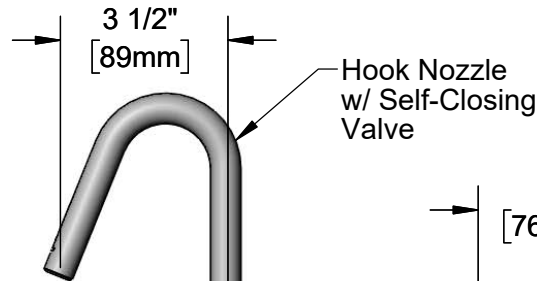
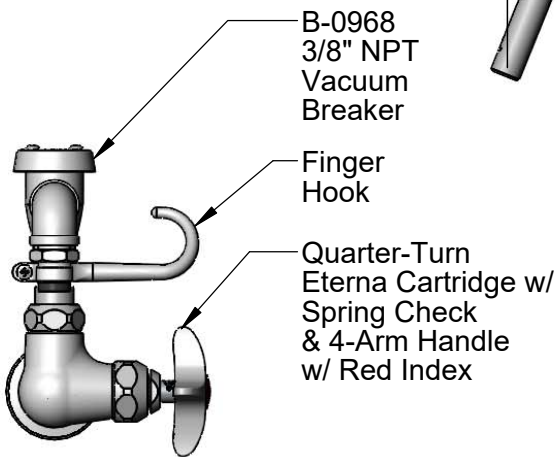
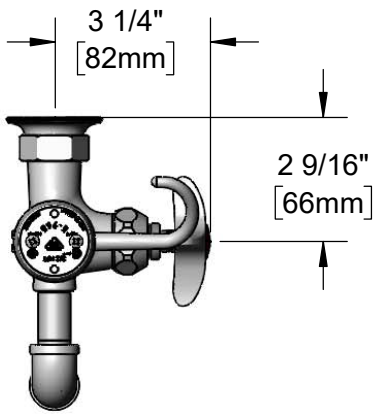
Job Name _____ Date _____

Model Specified _____ Quantity _____

Customer/Wholesaler _____

Contractor _____

Architect/Engineer _____



68" Flexible
 Stainless
 Steel Hose

Product Specifications:

Kettle & Pot Filler Wall Mount Faucet, Quarter-Turn Eterna Cartridge w/ Spring Check, 3/8" NPT Vacuum Breaker, 4-Arm Handle w/ Red Index, 68" Flexible Stainless Steel Hose, Spray Valve w/ Hook Nozzle & 1/2" NPT Female Inlet

Product Compliance:

ASME A112.18.1 / CSA B125.1
 NSF 61 - Section 9
 NSF 372 (Low Lead Content)
 ASSE 1001 (VB)
 2019 DOE PRSV Non-Compliant



T&S BRASS AND BRONZE WORKS, INC.
 2 Saddleback Cove / P.O. Box 1088
 Travelers Rest, SC 29690

Model No.
B-0605-H

Item No.

Travelers Rest, SC: 800-476-4103 • Simi Valley, CA: 800-423-0150 • Fax: 864-834-3518 • www.tsbrass.com

	ITEM NO.	SALES NO.	DESCRIPTION
	1	002851-40	Hook Nozzle & Spray Valve
	2	010476-45	#27 Washer
	3	000907-45	Spray Valve Hold Down Ring
	4	001355-40	Elbow, 3/8 NPT
	5	000357-40	Nipple, 3/8" NPT x 2"
	6	B-0968	3/8" NPT Vacuum Breaker
	7	004R	Finger Hook
	8	053A	Adapter, 3/8" NPT x 3/4-14UN
	9	EZ-K	EasyInstall Kit
	10	001065-45	O-Ring
	11	014200-45	Star Washer, Anti-Rotation
	12	012443-40NS	Quarter-Turn Eterna Cartridge w/ Spring Check, RTC
	13	002521-45NS	4-Arm Handle (New Style)
	14	000925-45	Lab Handle Screw
	15	001193-19NS	Red Button Index, Press-in
	16	B-0068-H2A	68" Flexible Stainless Steel Hose, Less Handle
	17	001014-45	Washer, B-0100 Hose Barrel
	18	002987-40	Grip Handle

Product Specifications:
 Kettle & Pot Filler Wall Mount Faucet, Quarter-Turn Eterna Cartridge w/ Spring Check, 3/8" NPT Vacuum Breaker, 4-Arm Handle w/ Red Index, 68" Flexible Stainless Steel Hose, Spray Valve w/ Hook Nozzle & 1/2" NPT Female Inlet

Product Compliance:
 ASME A112.18.1 / CSA B125.1
 NSF 61 - Section 9
 NSF 372 (Low Lead Content)
 ASSE 1001 (VB)
 2019 DOE PRSV Non-Compliant