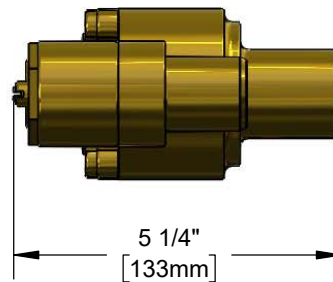
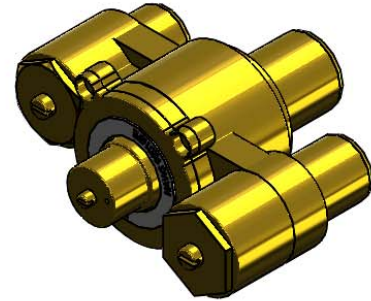
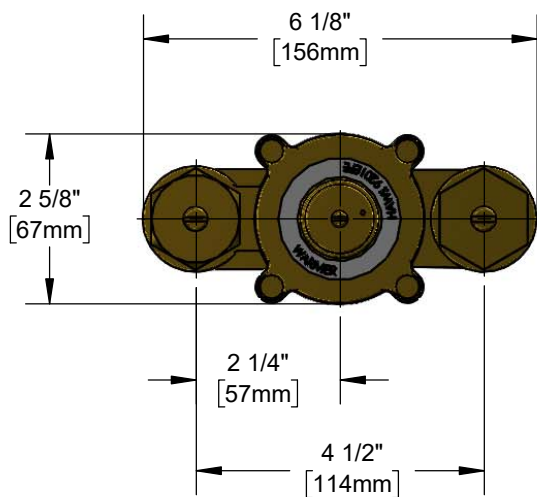




**Architect/Engineering Specifications:**

Brass thermostatic mixing valve with fail-safe back up, check valves, 1/2" NPT female inlets and 3/4" female outlet.

Job Name \_\_\_\_\_  
 Model Specified \_\_\_\_\_ Quantity \_\_\_\_\_  
 Variations Specified \_\_\_\_\_  
 Date \_\_\_\_\_



**Features & Benefits:**

- Brass thermostatic mixing valve with fail-safe back up
- Check valves
- 1/2" NPT female inlets
- 3/4" female outlet
- Material: Brass

**Product Compliance:**

- NSF 61 Exempt (Non-Potable)



**Warranty:** One Year (Limited)

**Performance Data:**

- Pressure: 30 - 90 psi [2.07 - 6.21 bar]
- Temperature: 60 °F - 100 °F [15.56 °C - 37.78 °C]
- Flow Rate: 1 to 12 GPM [3.79 to 45.43 L/min] @ 60 psi [4.14 bar]

