



Eyewash Stations
EW-SP65

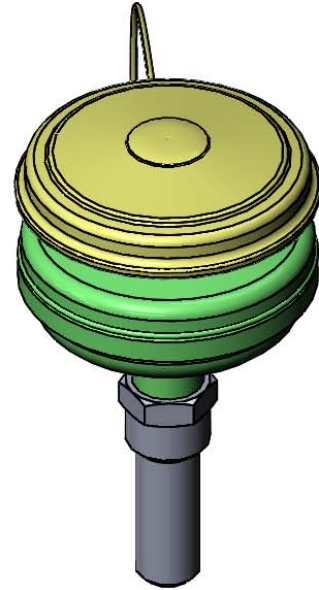
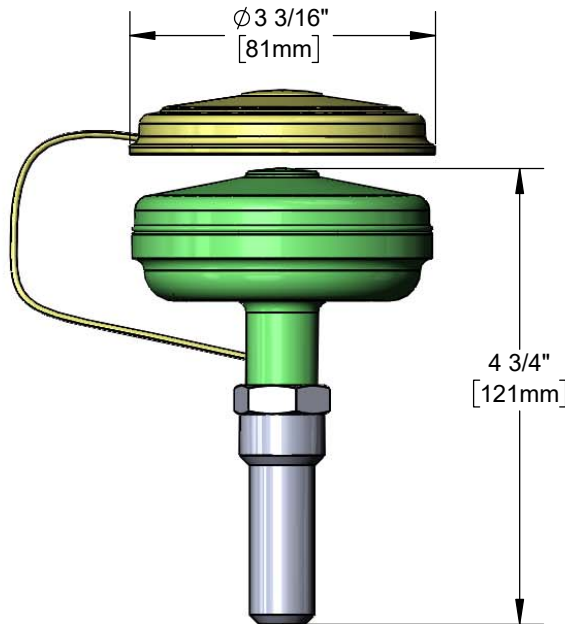
TAG:

Eye/Face Wash Head

Architect/Engineering Specifications:

Eye/face wash head with inverted directional flow, laminar flow, integral flow control, dust cover and adapter.

Job Name _____
 Model Specified _____ Quantity _____
 Variations Specified _____
 Date _____



Features & Benefits:

- Eye/face wash head
- Inverted directional flow
- Laminar flow
- Integral flow control
- Dust cover
- Adapter
- Material: Plastic

Product Compliance:

- NSF 61 Exempt (Non-Potable)



Warranty: One Year (Limited)

Performance Data:

- Pressure: 30 - 90 psi [2.07 - 6.21 bar]
- Temperature: 60 °F - 100 °F [15.56 °C - 37.78 °C]
- Flow Rate: 3.7 GPM [14.01 L/min] @ 60 psi [4.14 bar]



T&S BRASS AND BRONZE WORKS, INC.



• 2 Saddleback Cove • Travelers Rest, SC 29690
 Ph 800-476-4103 • Fax 864-834-3518
 • Simi Valley, CA • Ph 800-423-0150 • www.tsbrass.com

Date: 02/19/21