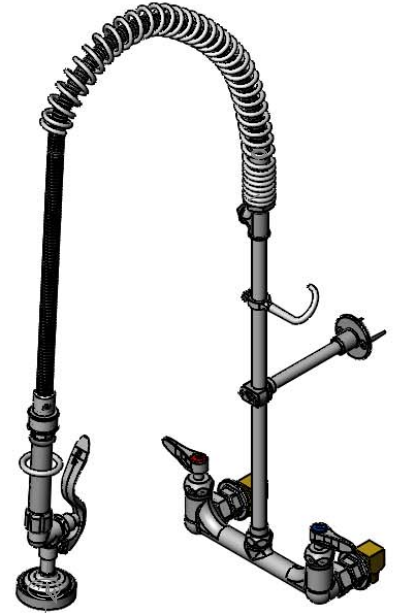
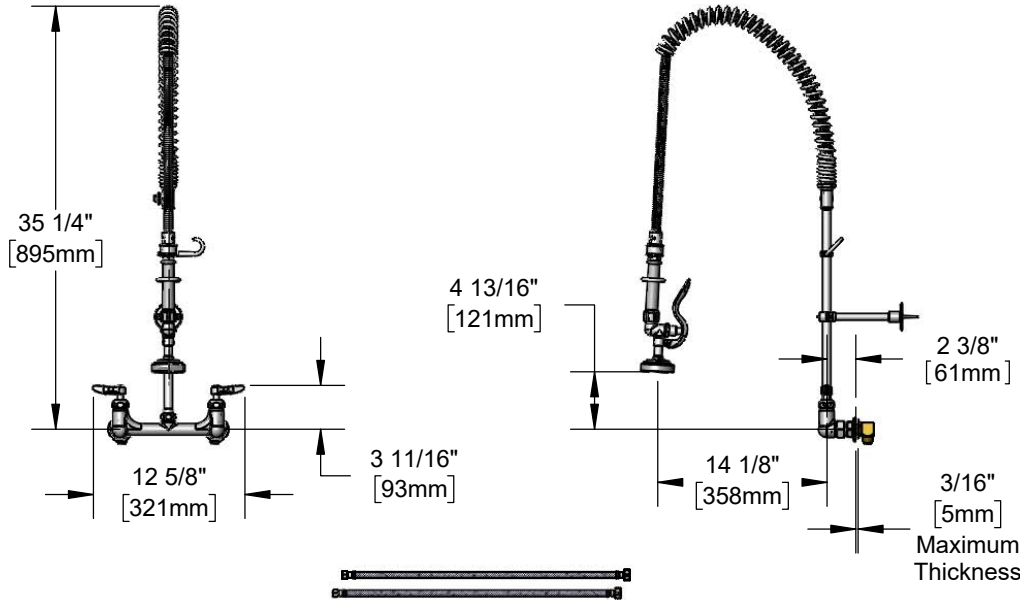




Architect/Engineering Specifications:

8" wall mount mixing faucet with polished chrome plated brass body, 18" riser, 44" flexible stainless steel hose with heat resistant handle and swivel, 1.15 GPM spray valve, ceramic cartridges with check valves, lever handles, accessory fitting tee, installation kit with 1/2" NPT male inlets, (2) 24" flexible stainless steel hoses, spray valve holder, overhead spring, and 6" adjustable wall bracket. Certified to ASME A112.18.1/CSA B125.1, NSF 61-Section 9 and NSF 372. 2019 DOE PRSV - Class II compliant.

Job Name _____
Model Specified _____ Quantity _____
Variations Specified _____
Date _____



Features & Benefits:

- 8" wall mount mixing faucet w/ polished chrome plated brass body
EasyInstall 18" riser for quick installation
44" flexible stainless steel hose w/ heat resistant gray handle and hold down ring
1.15 GPM spray valve
Pre-rinse swivel
Quarter-turn Cerama cartridges with check valves to prevent water cross flow
Lever handles w/ color coded indexes
Accessory fitting tee
1/2" NPT female eccentric inlets with Ø 2" flanges
1/2" NPT male elbow installation kit w/ (2) 24" flexible stainless steel hoses
Adjustable centers from 7 3/4" to 8 1/4"
6" wall bracket
Material: Polished chrome plated brass body, riser & spray valve body, stainless steel hose, and chrome plated metal handles

Product Compliance:

- ASME A112.18.1 / CSA B125.1
NSF 61 - Section 9
NSF 372 (Low Lead Content)
2019 DOE PRSV - Class II



Warranty: Three Year (Limited)

- Cerama Cartridge: Lifetime (Limited)

Performance Data:

- Pressure: 20 - 125 psi [1.38 - 8.62 bar]
Temperature: 40 °F - 140 °F [4.44 °C - 60 °C]
Flow Rate: 1.15 GPM [4.35 l/min] @ 60 psi [4.14 bar]

Optional Handles

- 4" Wrist Action
Lever (Standard)
4-Arm

Optional Cartridges With Checks

- Quarter-Turn Cerama w/ Check Valve (Standard)
Quarter-Turn Eterna w/ Spring Check

Optional Pre-Rinse Spray Valves

- B-0107 (1.15 GPM) (Standard)
B-0107-C (0.65 GPM)
B-0107-J (1.07 GPM)
B-0108 (1.07 GPM)
B-0108-C (0.65 GPM)

