



**T&S BRASS AND BRONZE WORKS, INC.**  
 2 Saddleback Cove / P.O. Box 1088  
 Travelers Rest, SC 29690

Model No.  
**BL-5715-09CRWH4**

Item No.

Travelers Rest, SC: 800-476-4103 • Simi Valley, CA: 800-423-0150 • Fax: 864-834-3518 • www.tsbrass.com



**ADA Compliant**

This Space for Architect/Engineer Approval

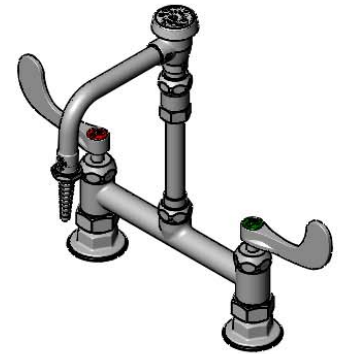
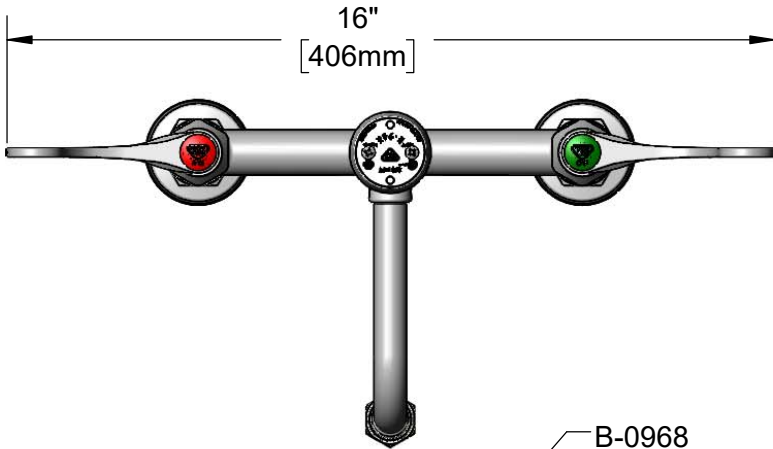
Job Name \_\_\_\_\_ Date \_\_\_\_\_

Model Specified \_\_\_\_\_ Quantity \_\_\_\_\_

Customer/Wholesaler \_\_\_\_\_

Contractor \_\_\_\_\_

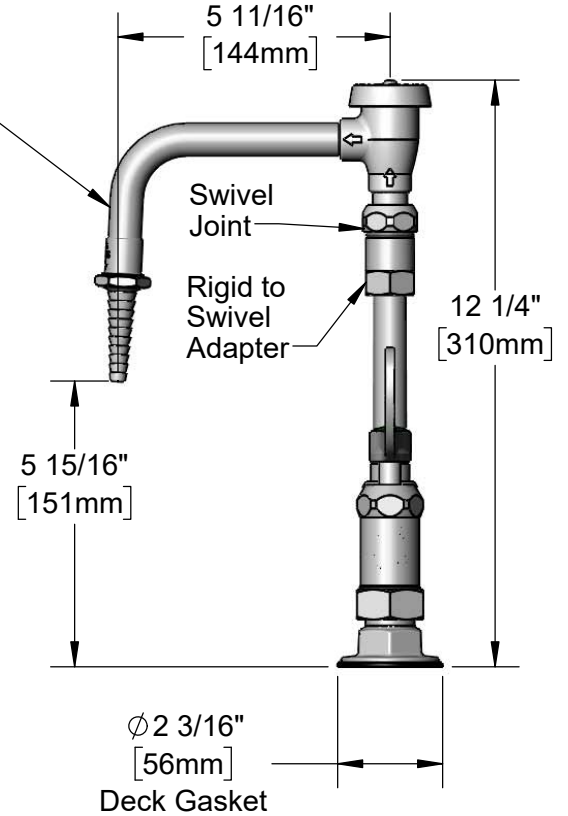
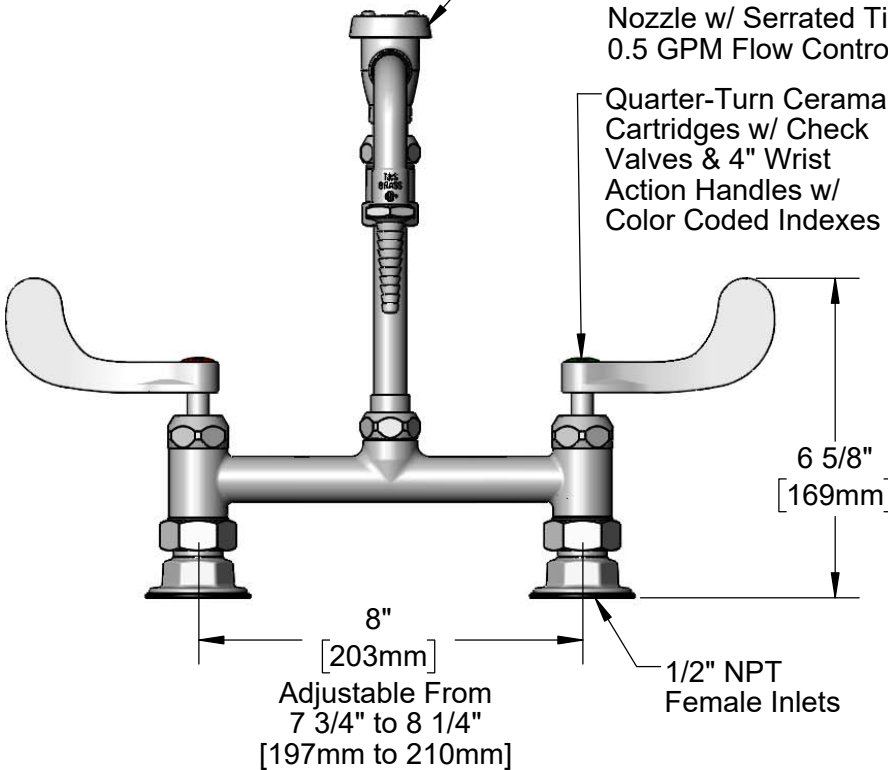
Architect/Engineer \_\_\_\_\_



B-0968  
 3/8" NPT Vacuum Breaker

BL-5560-02  
 Vacuum Breaker Swivel  
 Nozzle w/ Serrated Tip &  
 0.5 GPM Flow Control

Quarter-Turn Cerama  
 Cartridges w/ Check  
 Valves & 4" Wrist  
 Action Handles w/  
 Color Coded Indexes



**Product Specifications:**

8" Deck Mount Laboratory Mixing Faucet, Quarter-Turn Cerama Cartridges w/ Check Valves, 4" Wrist Action Handles, Swivel Vacuum Breaker Nozzle, Serrated Tip w/ 0.5 GPM Flow Control, Deck Gaskets & 1/2 NPT Female Inlets

**Product Compliance:**

ASME A112.18.1 / CSA B125.1  
 NSF 61 - Section 9  
 NSF 372 (Low Lead Content)  
 ANSI A117.1 (ADA)  
 ASSE 1001 (VB)



# T&S BRASS AND BRONZE WORKS, INC.

2 Saddleback Cove / P.O. Box 1088  
Travelers Rest, SC 29690

Model No.  
**BL-5715-09CRWH4**

Item No.

Travelers Rest, SC: 800-476-4103 • Simi Valley, CA: 800-423-0150 • Fax: 864-834-3518 • www.tsbrass.com

ITEM NO.	SALES NO.	DESCRIPTION
1	B-0198-FD05	Serrated Tip Outlet w/ 0.5 GPM Flow Disc & Washer
2	001051-45	Washer
3	BL-5560-02	Swing Nozzle w/ Vacuum Breaker & Serrated Tip w/ 0.5 GPM Flow Disc
4	007283-40	Vacuum Breaker Nozzle
5	B-0968	3/8" NPT Vacuum Breaker
6	000843-25	Swivel Body
7	011429-45	Swivel Sleeves (2)
8	001074-45	O-Ring
9	054X	Swivel Body
10	000361-40	3/8" NPT x 5" Riser
11	EZ-K	EasyInstall Kit
12	001065-45	O-ring
13	014200-45	Star Washer, Anti-Rotation
14	001191-45NS	Green "CW" Lab Button Index
15	000925-45	Lab Handle Screw
16	B-WH4-NS	Wrist Action Handle - New Style
17	012395-25NS	Quarter-Turn Cerama Cartridge w/ Check Valve, LTC
18	001019-45	Coupling Nut Washer
19	00AA	1/2" NPT Female Eccentric Flange
20	144L	Black Plastic Gasket
21	012394-25NS	Quarter-Turn Cerama Cartridge w/ Check Valve, RTC
22	001194-45NS	Red "HW" Lab Button Index
23	FD05	Flow Disc, 0.5 GPM [ 1.9 L/min.] (Lime)

**Product Specifications:**  
8" Deck Mount Laboratory Mixing Faucet, Quarter-Turn Cerama Cartridges w/ Check Valves, 4" Wrist Action Handles, Swivel Vacuum Breaker Nozzle, Serrated Tip w/ 0.5 GPM Flow Control, Deck Gaskets & 1/2 NPT Female Inlets

**Product Compliance:**  
ASME A112.18.1 / CSA B125.1  
NSF 61 - Section 9  
NSF 372 (Low Lead Content)  
ANSI A117.1 (ADA)  
ASSE 1001 (VB)