



T&S BRASS AND BRONZE WORKS, INC.
 2 Saddleback Cove / P.O. Box 1088
 Travelers Rest, SC 29690

Model No.
B-2990-P

Item No.

Travelers Rest, SC: 800-476-4103 • Simi Valley, CA: 800-423-0150 • Fax: 864-834-3518 • www.tsbrass.com

This Space for Architect/Engineer Approval

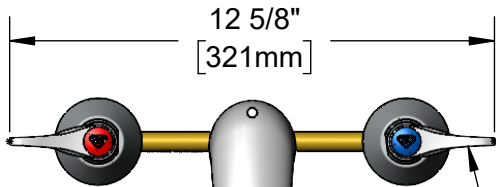
Job Name _____ Date _____

Model Specified _____ Quantity _____

Customer/Wholesaler _____

Contractor _____

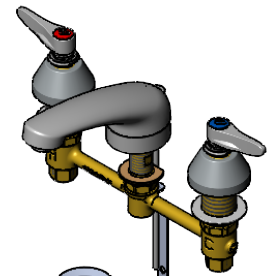
Architect/Engineer _____



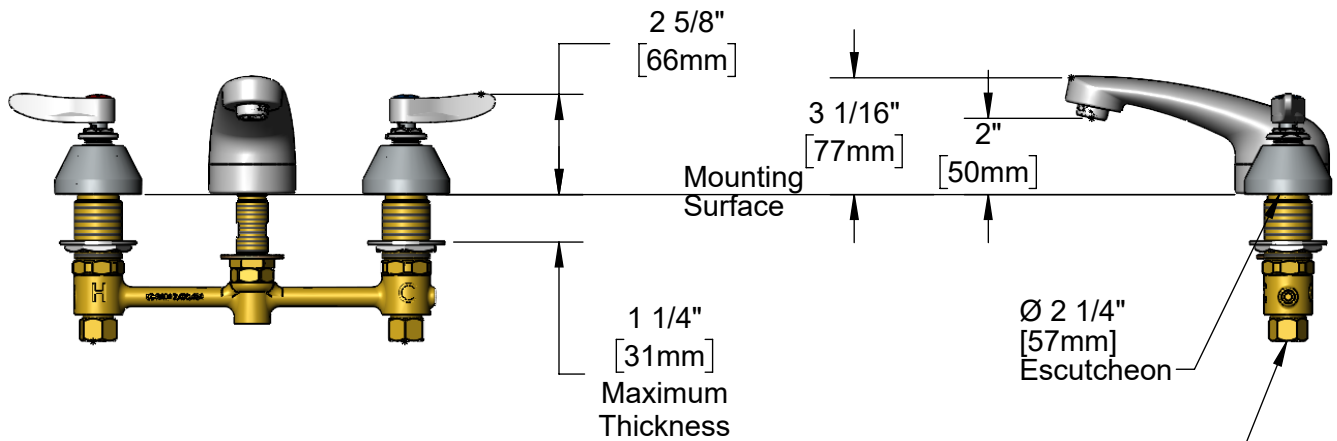
12 5/8"
[321mm]

Quarter-Turn
Eterna Cartridges w/
Spring Checks &
Lever Handles w/
Color Coded Indexes

Cast Spout w/
B-0199-03
2.2 GPM Aerator



Pop-Up Drain



Rough-In Requirement:

Center Shank: ϕ 1" [ϕ 25mm] Mounting Hole

Hot/Cold Bodies: ϕ 1 1/2" [ϕ 38mm] Mounting Holes

Pop-Up Drain: Fits Sinks With ϕ 1 7/16" [37mm] to ϕ 1 3/4" [44mm] Drain Hole

Product Specifications:

8" EasyInstall Concealed Widespread Faucet, Lever Handles, Quarter-Turn Eterna Cartridges w/ Spring Checks, Cast Spout w/ 2.2 GPM Aerator & 1/2" NPT Male Inlets w/ Coupling Nuts and Pop-Up Drain

Product Compliance:

ASME A112.18.1 / CSA B125.1
 NSF 61 - Section 9
 NSF 372 (Low Lead Content)



T&S BRASS AND BRONZE WORKS, INC.

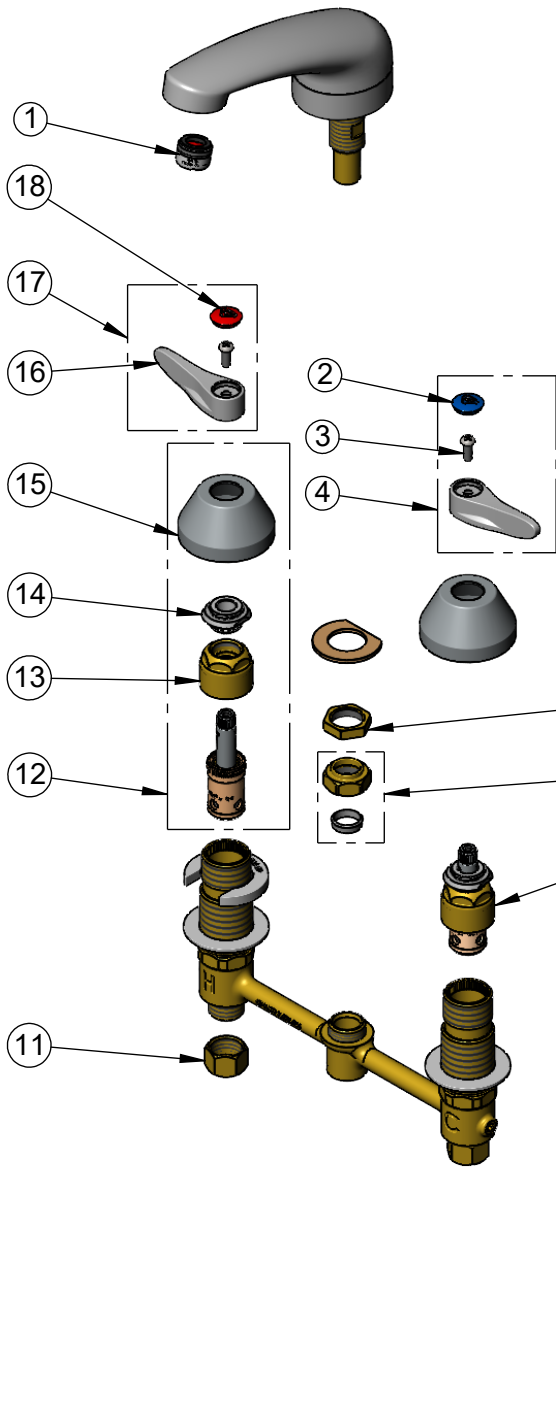
2 Saddleback Cove / P.O. Box 1088
Travelers Rest, SC 29690

Model No.

B-2990-P

Item No.

Travelers Rest, SC: 800-476-4103 • Simi Valley, CA: 800-423-0150 • Fax: 864-834-3518 • www.tsbrass.com



ITEM NO.	SALES NO.	DESCRIPTION
1	B-0199-03	2.2 GPM Aerator
2	018506-19NS	Blue Button Index, Press-in
3	000925-45	Lab Handle Screw
4	001636-45NS	Lever Handle, Blue Index & Screw
5	002954-45	Shank Lock Nut
6	016745-45	Compression Nut & Fitting
7	016752-40NS	EasyInstall, CWS Quarter-Turn Eterna Cartridge w/ Spring Check, LTC
8	016749-45	Sidebody C-Washer
9	016777-45	CWS Hanger
10	B-0898	Pop-Up Drain
11	000958-20	Coupling Nut
12	016753-40NS	EasyInstall, CWS Quarter-Turn Eterna Cartridge w/ Spring Check, RTC
13	016743-20	CWS Bonnet
14	009002-40NS	Packing Assembly (New Style)
15	001257-40NS	Bell Escutcheon
16	001638-45NS	Lever Handle (New Style)
17	001637-45NS	Lever Handle, Red Index & Screw
18	001193-19NS	Red Button Index, Press-in

Product Specifications:

8" EasyInstall Concealed Widespread Faucet, Lever Handles, Quarter-Turn Eterna Cartridges w/ Spring Checks, Cast Spout w/ 2.2 GPM Aerator & 1/2" NPT Male Inlets w/ Coupling Nuts and Pop-Up Drain

Product Compliance:

ASME A112.18.1 / CSA B125.1
NSF 61 - Section 9
NSF 372 (Low Lead Content)