



T&S BRASS AND BRONZE WORKS, INC.

2 Saddleback Cove / P.O. Box 1088
Travelers Rest, SC 29690

Model No.

B-2710-LH

Item No.

Travelers Rest, SC: 800-476-4103 • Simi Valley, CA: 800-423-0150 • Fax: 864-834-3518 • www.tsbrass.com

This Space for Architect/Engineer Approval

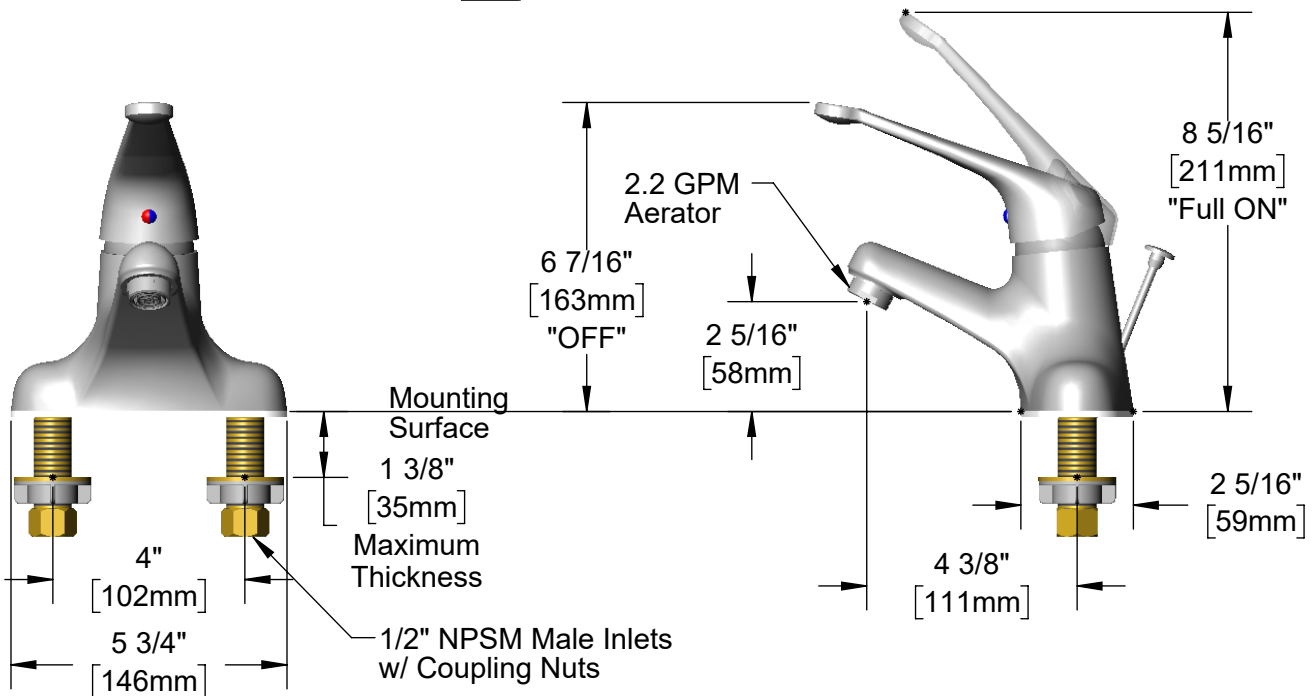
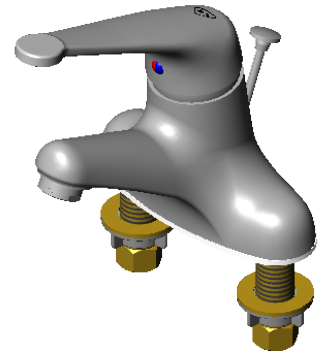
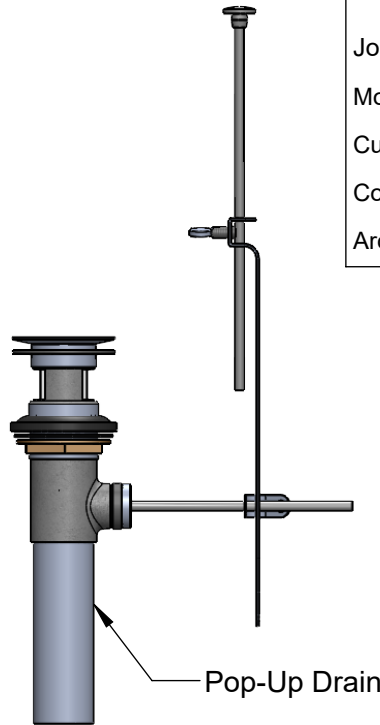
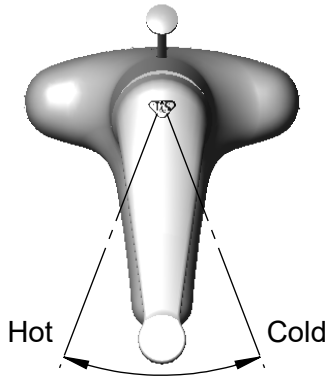
Job Name _____ Date _____

Model Specified _____ Quantity _____

Customer/Wholesaler _____

Contractor _____

Architect/Engineer _____



Rough-In Requirement:

(3) ϕ 1" [25mm] Mounting Holes

Pop-Up Drain: Fits Sinks with ϕ 1 7/16" [36mm] to ϕ 1 3/4" [44mm] Drain Hole

Product Specifications:

4" Deck Mount Single Lever Faucet, Ceramic Cartridge, Long Handle, Temperature Limit Stop, 2.2 GPM Aerator, Pop-Up Drain & 1/2" NPSM Male Inlets

Product Compliance:

ASME A112.18.1 / CSA B125.1
NSF 61 - Section 9
NSF 372 (Low Lead Content)



T&S BRASS AND BRONZE WORKS, INC.

2 Saddleback Cove / P.O. Box 1088
Travelers Rest, SC 29690

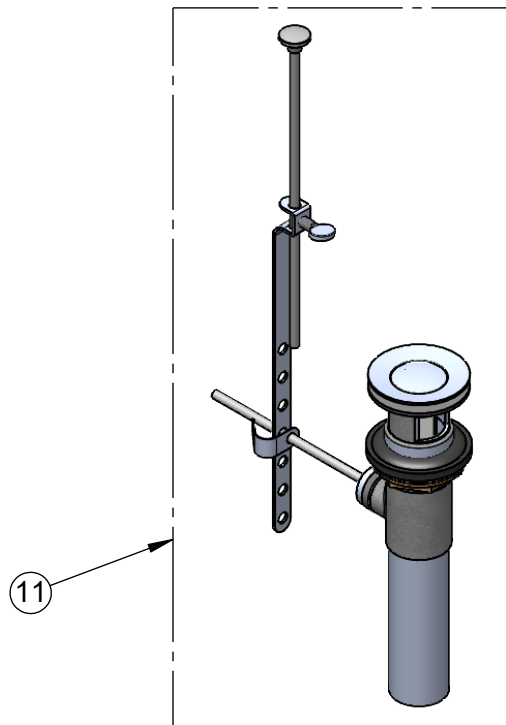
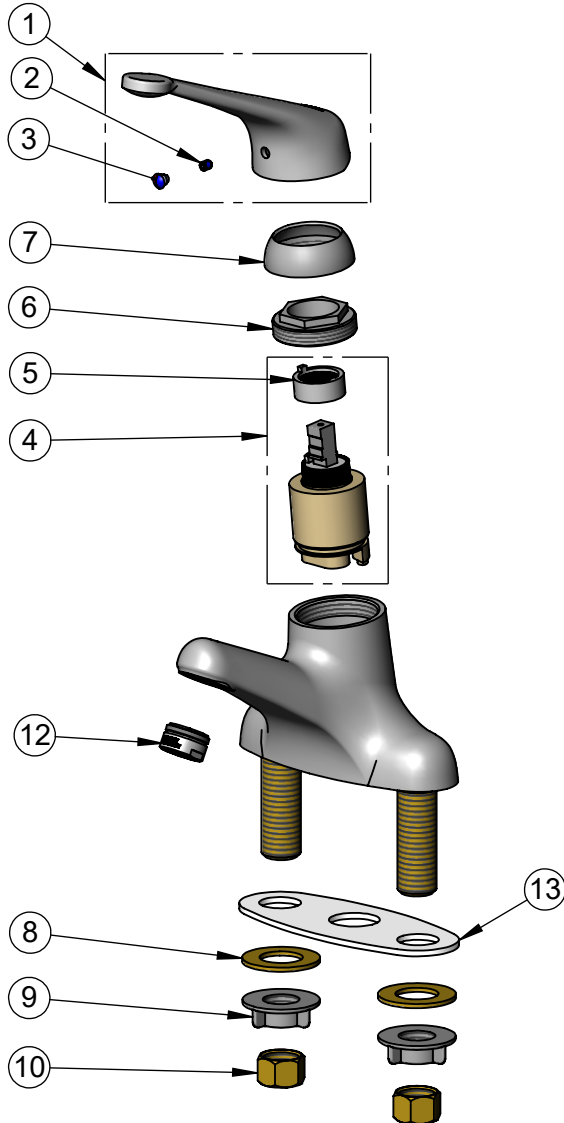
Model No.

B-2710-LH

Item No.

Travelers Rest, SC: 800-476-4103 • Simi Valley, CA: 800-423-0150 • Fax: 864-834-3518 • www.tsbrass.com

ITEM NO.	SALES NO.	DESCRIPTION
1	013429-45	Single Lever Long Handle
2	016675-45	Set Screw
3	014173-45	Index, Temperature
4	013111-45	Ceramic Cartridge w/ Temperature Limit Stop
5	015400-45	Temperature Limit Stop
6	016663-45	Locking Nut
7	016661-45	Trim Ring
8	000999-45	Brass Lock Washer
9	016673-45	Shank Nut
10	000958-20	Coupling Nut
11	B-0898	Pop-Up Drain
12	B-0199-04	2.2 GPM Aerator, 15/16-27 Male
13	014167-45	Deck Gasket



Product Specifications:

4" Deck Mount Single Lever Faucet, Ceramic Cartridge, Long Handle, Temperature Limit Stop, 2.2 GPM Aerator, Pop-Up Drain & 1/2" NPSM Male Inlets

Product Compliance:

ASME A112.18.1 / CSA B125.1
NSF 61 - Section 9
NSF 372 (Low Lead Content)