



**Portable Sink Accessories**  
**TPS1000-BS1**

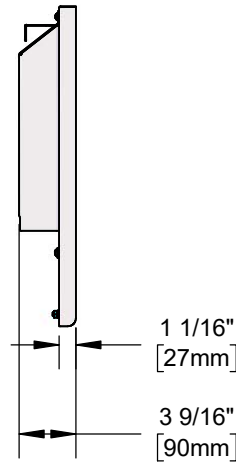
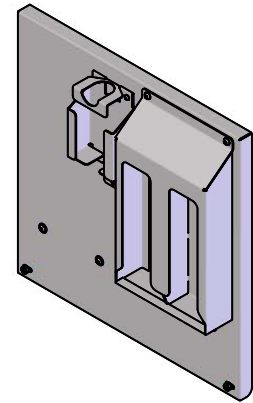
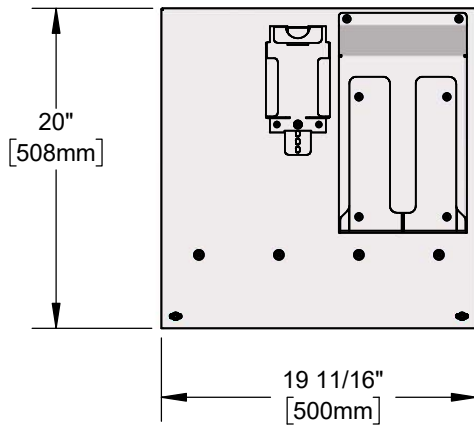
TAG:

*Backsplash*

**Architect/Engineering Specifications:**

Stainless steel backsplash with soap dispenser and paper towel holder.

Job Name \_\_\_\_\_  
 Model Specified \_\_\_\_\_ Quantity \_\_\_\_\_  
 Variations Specified \_\_\_\_\_  
 Date \_\_\_\_\_



**Features & Benefits:**

- Stainless steel backsplash w/ soap dispenser & paper towel holder
- Bay holds 150 count (1-ply 3.7" x 10.1") paper towels
- Soap dispenser fits 3 7/8" wide x 2" deep x 5" to 8" tall soap bottle

**Product Compliance:**

- N/A

**Warranty:** One Year (Limited)

**Performance Data:**

- N/A



**T&S BRASS AND BRONZE WORKS, INC.**



• 2 Saddleback Cove • Travelers Rest, SC 29690  
 Ph 800-476-4103 • Fax 864-834-3518  
 • Simi Valley, CA • Ph 800-423-0150 • www.tsbrass.com

Date: 10/07/20