



**T&S BRASS AND BRONZE WORKS, INC.**  
 2 Saddleback Cove / P.O. Box 1088  
 Travelers Rest, SC 29690

Model No.

**B-0133-C-LB**

Item No.

Travelers Rest, SC: 800-476-4103 • Simi Valley, CA: 800-423-0150 • Fax: 864-834-3518 • www.tsbrass.com

This Space for Architect/Engineer Approval

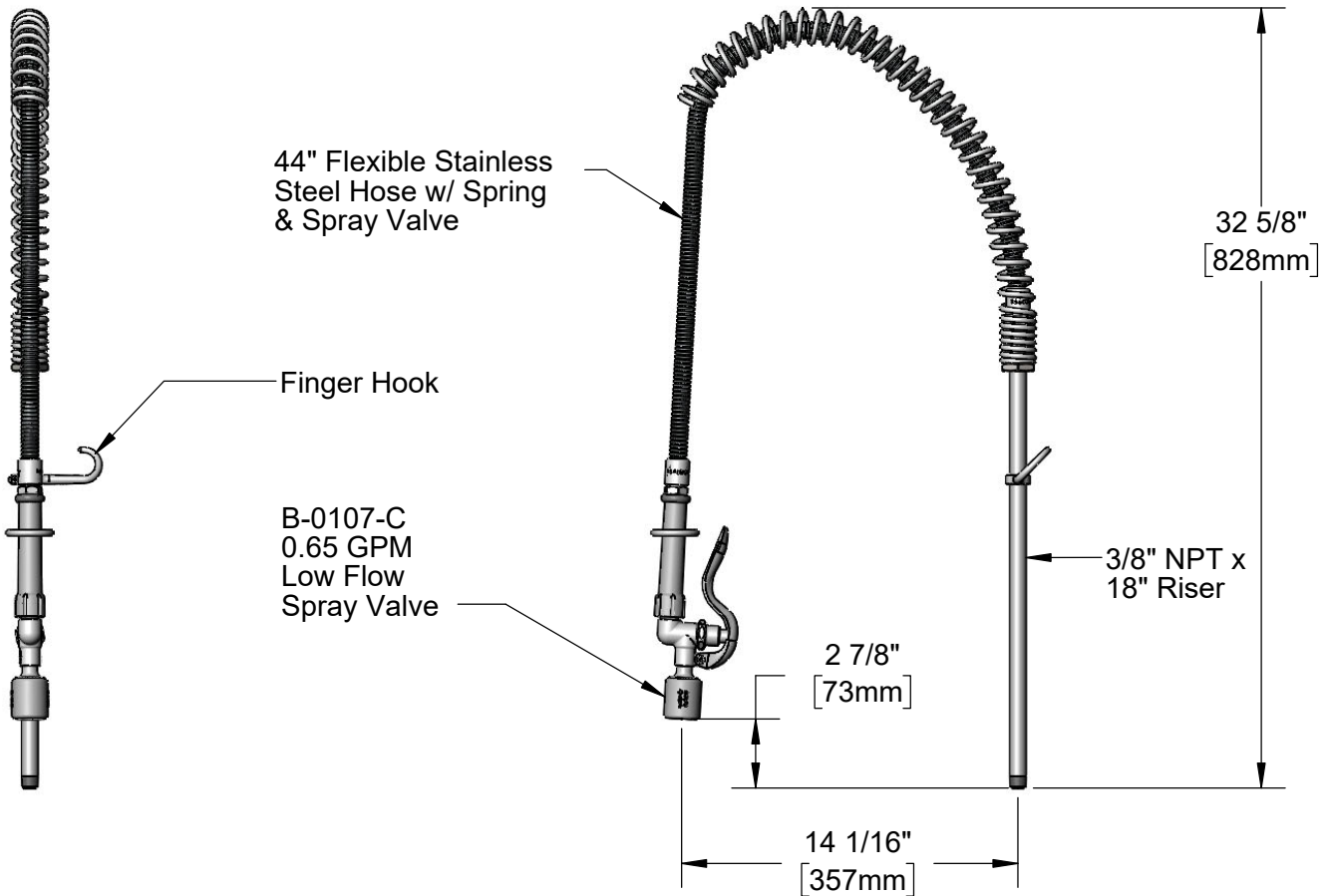
Job Name \_\_\_\_\_ Date \_\_\_\_\_

Model Specified \_\_\_\_\_ Quantity \_\_\_\_\_

Customer/Wholesaler \_\_\_\_\_

Contractor \_\_\_\_\_

Architect/Engineer \_\_\_\_\_



Product Specifications:

Pre-Rinse Unit: 18" Riser, 44" Flexible Stainless Steel Hose & 0.65 GPM Low Flow Spray Valve, Less Faucet

Product Compliance:

ASME A112.18.1 / CSA B125.1  
 NSF 61 - Section 9  
 NSF 372 (Low Lead Content)  
 2019 DOE PRSV - Class I



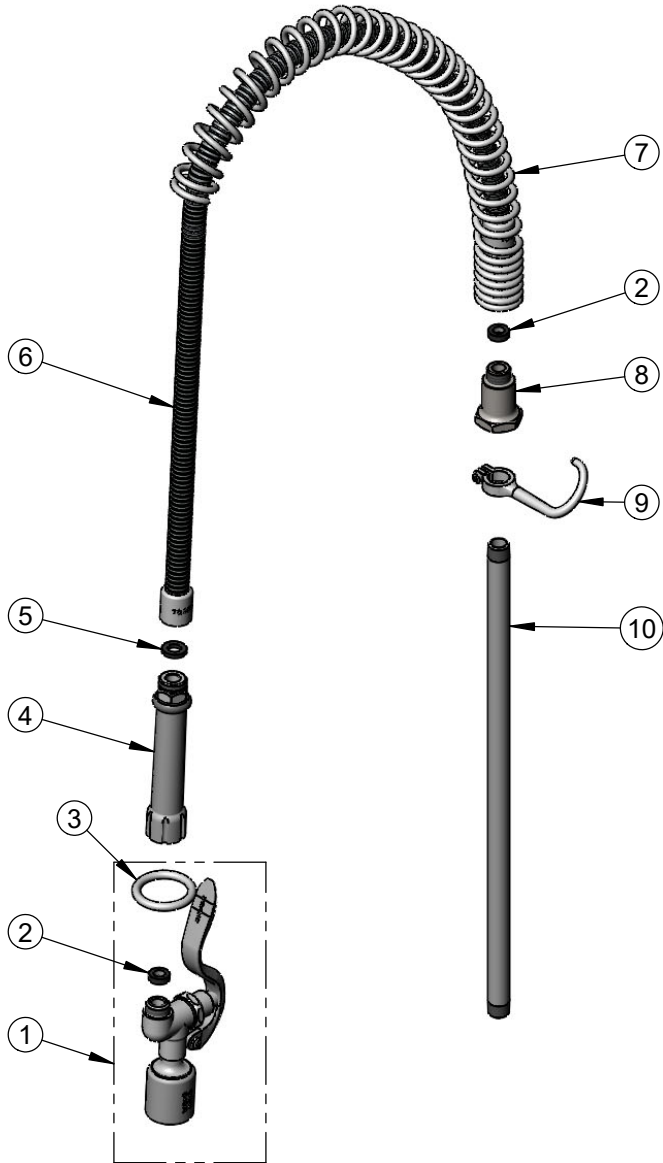
**T&S BRASS AND BRONZE WORKS, INC.**  
 2 Saddleback Cove / P.O. Box 1088  
 Travelers Rest, SC 29690

Model No.  
**B-0133-C-LB**

Item No.

Travelers Rest, SC: 800-476-4103 • Simi Valley, CA: 800-423-0150 • Fax: 864-834-3518 • www.tsbrass.com

| ITEM NO. | SALES NO.  | DESCRIPTION                                    |
|----------|------------|--|
| 1        | B-0107-C   | 0.65 GPM Low Flow Spray Valve                  |
| 2        | 010476-45  | #27 Washer                                     |
| 3        | 000907-45  | Spray Valve Hold Down Ring                     |
| 4        | 002987-40  | Grip Handle                                    |
| 5        | 001014-45  | Washer, B-0100 Hose Barrel                     |
| 6        | B-0044-H2A | 44" Flexible Stainless Steel Hose, Less Handle |
| 7        | 000888-45  | EasyInstall Overhead Spring                    |
| 8        | 000821-40  | Spring Body                                    |
| 9        | 004R       | Finger Hook                                    |
| 10       | 000369-40  | 3/8" NPT x 18" Riser                           |



Product Specifications:  
 Pre-Rinse Unit: 18" Riser, 44" Flexible Stainless Steel Hose & 0.65 GPM Low Flow Spray Valve, Less Faucet

Product Compliance:  
 ASME A112.18.1 / CSA B125.1  
 NSF 61 - Section 9  
 NSF 372 (Low Lead Content)  
 2019 DOE PRSV - Class I