



Architect/Engineering Specifications:

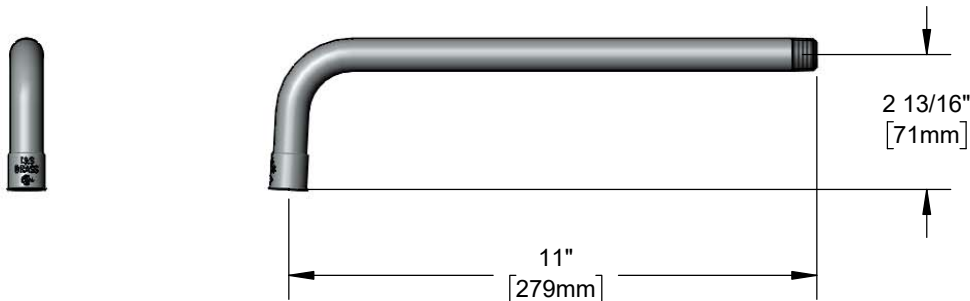
Chrome plated brass 11" nozzle with 3/8" NSPM female outlet and 3/8" NPT outlet, for use with vacuum breaker. Certified to ASME A112.18.1/CSA B125.1, NSF 61-Section 9 and NSF 372.

Job Name _____

Model Specified _____ Quantity _____

Variations Specified _____

Date _____



Features & Benefits:

- 11" nozzle for use with vacuum breaker
- 3/8" NPSM female outlet
- 3/8" NPT male inlet
- Material: Chrome plated brass tubular spout

Product Compliance:

- ASME A112.18.1 / CSA B125.1
- NSF 61 - Section 9
- NSF 372 (Low Lead Content)



Warranty: One Year (Limited)



Performance Data:

- Pressure: 20 - 125 psi
- Temperature: 40 °F - 140 °F
- Flow Rate: TBD GPM @ 60 psi

