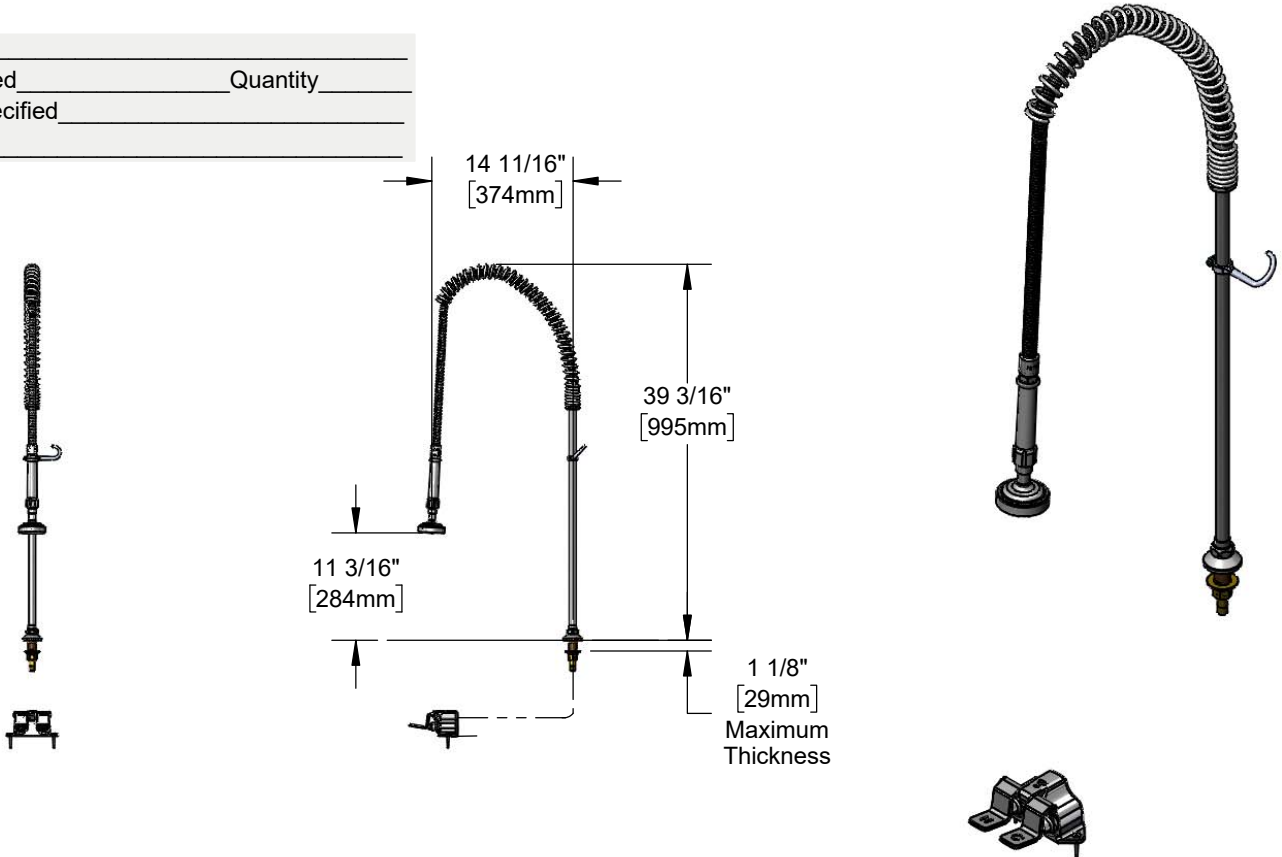




Architect/Engineering Specifications:

Single hole deck mount dummy pre-rinse and pedal valve with polished chrome plated brass swivel/rigid deck flange, 24" riser, 44" flexible stainless steel hose with heat resistant handle, 1.15 GPM spray head and spray valve holder. Certified to ASME A112.18.1/CSA B125.1, NSF 61-Section 9 and NSF 372.

Job Name _____
 Model Specified _____ Quantity _____
 Variations Specified _____
 Date _____



Features & Benefits:

- Single hole deck mount dummy pre-rinse and pedal valve w/ polished chrome plated brass bodies
- EasyInstall 24" riser for quick installation
- 44" flexible stainless steel hose w/ heat resistant gray handle
- 1.15 GPM spray head and adapter
- Double pedal valve w/ 1/2" inlets and outlets
- Piping provided by others
- 1/2" NPSM shank w/ tailpiece and nut for 1/4" NPT connections
- Material: Polished chrome plated brass bodies, riser & spray valve head, stainless steel hose, and chrome plated metal pedals

Product Compliance:

- ASME A112.18.1 / CSA B125.1
- NSF 61 - Section 9
- NSF 372 (Low Lead Content)



Warranty: One Year (Limited)

Performance Data:

- Pressure: 20 - 125 psi
- Temperature: 40 °F - 140 °F
- Flow Rate: 1.15 GPM @ 60 psi

Optional Cartridges

- Metering

