



T&S BRASS AND BRONZE WORKS, INC.
 2 Saddleback Cove / P.O. Box 1088
 Travelers Rest, SC 29690

Model No.
B-7102-U1JXS9E

Item No.

Travelers Rest, SC: 800-476-4103 • Simi Valley, CA: 800-423-0150 • Fax: 864-834-3518 • www.tsbrass.com

This Space for Architect/Engineer Approval

Job Name _____ Date _____

Model Specified _____ Quantity _____

Customer/Wholesaler _____

Contractor _____

Architect/Engineer _____

B-0963
 Continuous Pressure
 Vacuum Breaker w/
 Integral Check Valve

3/8" NPT x 36"
 Flexible Water
 Hose

3/8" NPT x
 40" Riser

Stainless Steel
 Quick Disconnect

Control Valve

3/8" NPT x
 16" Riser

(2) B-0109-07
 2 3/8" Wall
 Brackets

EasyInstall
 Lock Nut &
 Bushing

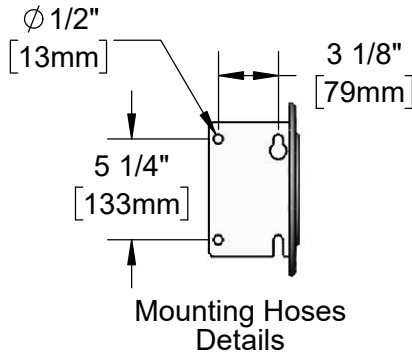
2 5/16"
 [58mm]

7 7/16"
 [189mm]

Quarter-Turn Eterna Cartridges
 w/ Spring Checks & Lever Handles
 w/ Color Coded Indexes

18" Flexible
 Stainless Steel
 Supply Hoses

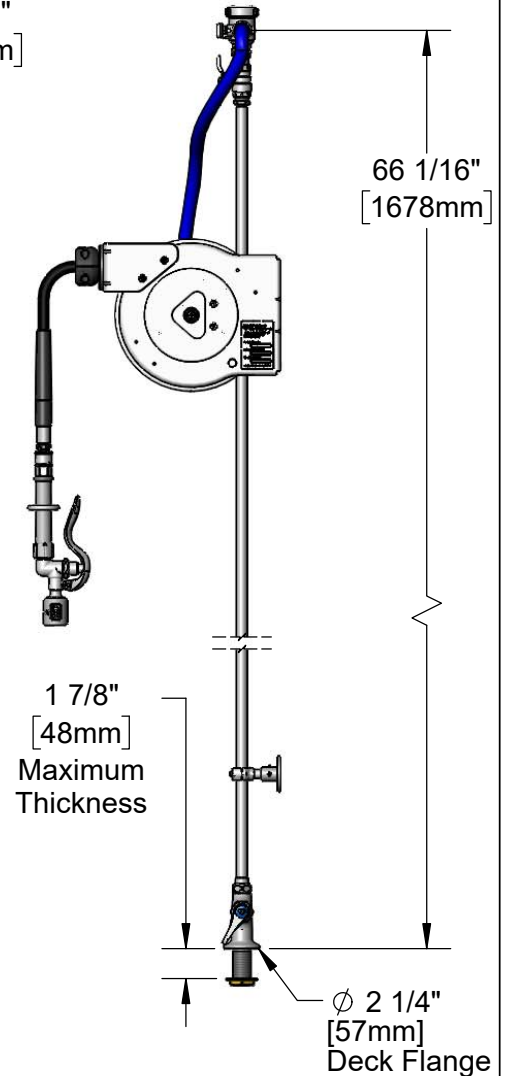
Compression Fittings
 for 5/8" O.D. Copper Tubing
 (Remove Compression Nut
 for 1/2" NPSM Male)



Open Stainless Steel
 Hose Reel w/ 12' of
 3/8" Hose

019652-40
 3/8" NPT
 Live Swivel

B-0107-J
 1.07 GPM
 Spray Valve



Rough-In Requirement:
 Ø 1 1/2" [38mm] Mounting Hole

Product Specifications:

Open Stainless Steel Hose Reel w/ 12' of 3/8" Hose, Single Hole Dual Temperature Deck Mount Faucet, Quarter-Turn Eterna Cartridges w/ Spring Checks, 1.07 GPM Spray Valve w/ Swivel, Vacuum Breaker, 3/8" NPT Flexible Water Hose, Wall Brackets & Control Valve

Product Compliance:

NSF 61 Exempt (Non-Potable)
 2019 DOE PRSV - Class II
 ASSE 1056 (VB)



T&S BRASS AND BRONZE WORKS, INC.

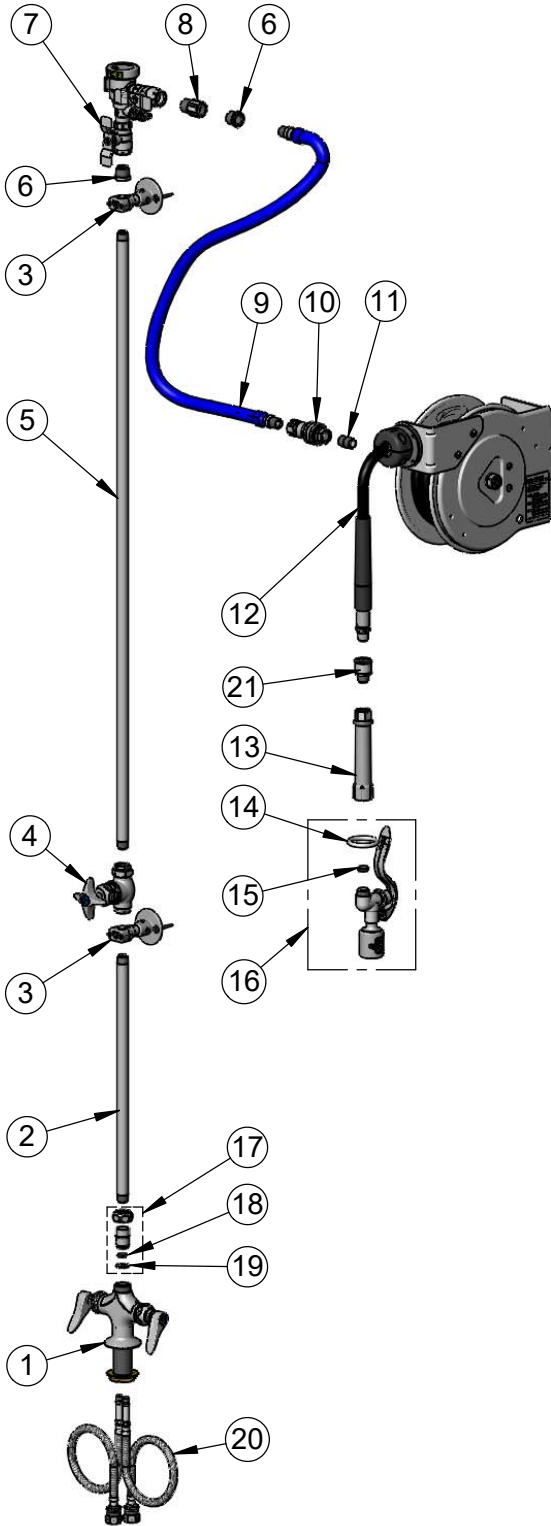
2 Saddleback Cove / P.O. Box 1088
Travelers Rest, SC 29690

Model No.

B-7102-U1JXS9E

Item No.

Travelers Rest, SC: 800-476-4103 • Simi Valley, CA: 800-423-0150 • Fax: 864-834-3518 • www.tsbrass.com



ITEM NO.	SALES NO.	DESCRIPTION
1	B-0300-LN	Single Hole Dual Temp Mixing Faucet w/ Supply Hoses
2	000368-40	3/8" NPT x 16" Riser
3	B-0109-07	2 3/8" Wall Bracket
4	0RK3	Control Valve
5	002558-40	3/8" NPT x 40" Riser
6	001359-40	1/2" NPT Male x 3/8" NPT Female Hex Bushing
7	B-0963	1/2" NPT Continuous Pressure VB w/ Integral Check Valve
8	015073-40	Check Valve 1/2" NPT Adapter
9	HW-2B-36	3/8" NPT x 36" Flexible Water Hose
10	AW-5B	3/8" NPT Quick Disconnect
11	002535-25	3/8" Close Nipple
12	B-7102	Open Stainless Steel Hose Reel w/ 12' x 3/8" Hose
13	002881-40	Grip Handle
14	000907-45	Spray Valve Hold Down Ring
15	010476-45	#27 Washer
16	B-0107-J	1.07 GPM Spray Valve
17	EZ-K	EasyInstall Kit
18	001065-45	O-Ring
19	014200-45	Star Washer, Anti-Rotation
20	012534-45	18" Flexible Supply Hose (2)
21	019652-40	3/8" NPT Live Swivel

Product Specifications:

Open Stainless Steel Hose Reel w/ 12' of 3/8" Hose, Single Hole Dual Temperature Deck Mount Faucet, Quarter-Turn Eterna Cartridges w/ Spring Checks, 1.07 GPM Spray Valve w/ Swivel, Vacuum Breaker, 3/8" NPT Flexible Water Hose, Wall Brackets & Control Valve

Product Compliance:

NSF 61 Exempt (Non-Potable)
2019 DOE PRSV - Class II
ASSE 1056 (VB)