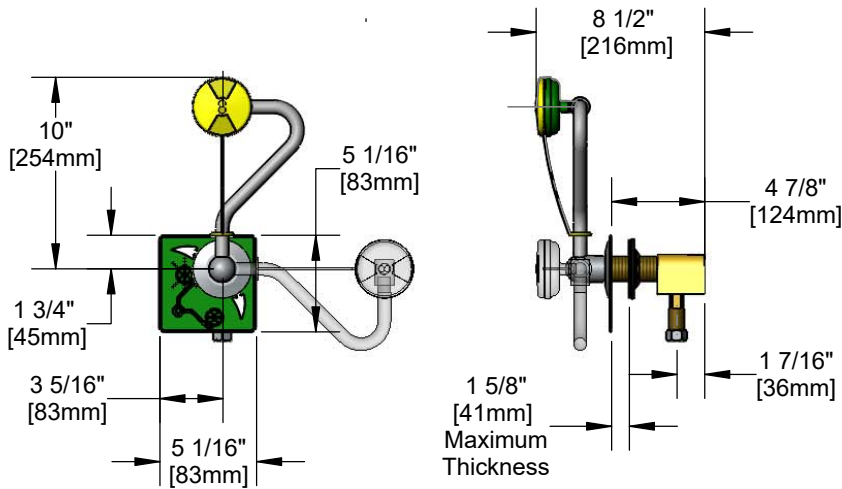
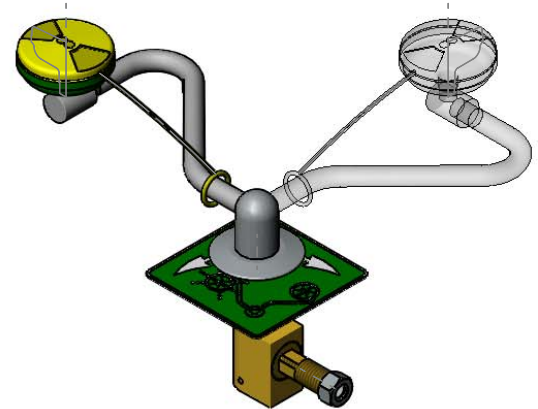




**Architect/Engineering Specifications:**

Deck mount eye/face wash with polished chrome plated brass eye/face wash, plastic eye wash head with laminar flow device, integral flip top dust cover and 1/2" O.D. slip joint. Certified to ANSI Z358.1.

Job Name \_\_\_\_\_  
 Model Specified \_\_\_\_\_ Quantity \_\_\_\_\_  
 Variations Specified \_\_\_\_\_  
 Date \_\_\_\_\_



**Features & Benefits:**

- Polished chrome plated brass eye/face wash
- Deck mount eye/face wash
- Plastic eye wash head with laminar flow device
- Integral flip top dust cover
- 1/2" O.D. slip joint
- Material: Chrome plated brass eye/face wash and ABS plastic eyewash head

**Product Compliance:**

- ANSI Z358.1 (Latest Revision)
- NSF 61 Exempt (Non-Potable)



**Warranty:** One Year (Limited)

**Performance Data:**

- Pressure: 30 - 90 psi [2.07 - 6.21 bar]
- Temperature: 40 °F - 100 °F [4.44 °C - 37.78 °C]
- Flow Rate: 3.7 GPM [14.01 L/min] @ 60 psi [4.14 bar]

