



T&S BRASS AND BRONZE WORKS, INC.
 2 Saddleback Cove / P.O. Box 1088
 Travelers Rest, SC 29690

Model No.
G016684-45

Item No.

Travelers Rest, SC: 800-476-4103 • Simi Valley, CA: 800-423-0150 • Fax: 864-834-3518 • www.tsbrass.com

This Space for Architect/Engineer Approval

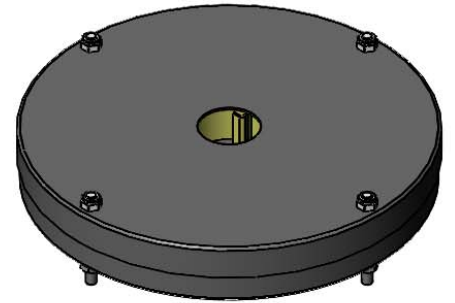
Job Name _____ Date _____

Model Specified _____ Quantity _____

Customer/Wholesaler _____

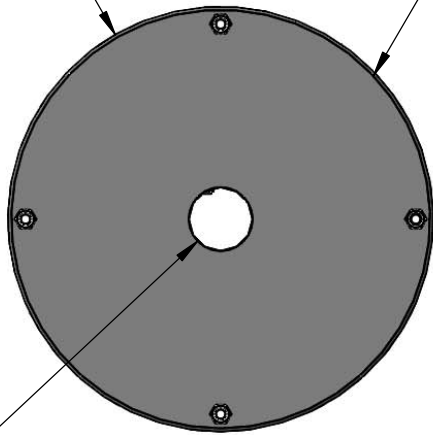
Contractor _____

Architect/Engineer _____



Ø 12"
[305mm]

Gray Epoxy Coated



Ø 1 5/16"
[34mm]

1 3/8"
[35mm]



Four (4) Nuts Included to Attach to Reel

Product Specifications:
 Spring Assembly for 3/8" & 1/2" X 50' Low Pressure I-Reels

Product Compliance:
 N/A