



T&S BRASS AND BRONZE WORKS, INC.

2 Saddleback Cove / P.O. Box 1088
Travelers Rest, SC 29690

Model No.

B-2277-01

Item No.

Travelers Rest, SC: 800-476-4103 • Simi Valley, CA: 800-423-0150 • Fax: 864-834-3518 • www.tsbrass.com

This Space for Architect/Engineer Approval

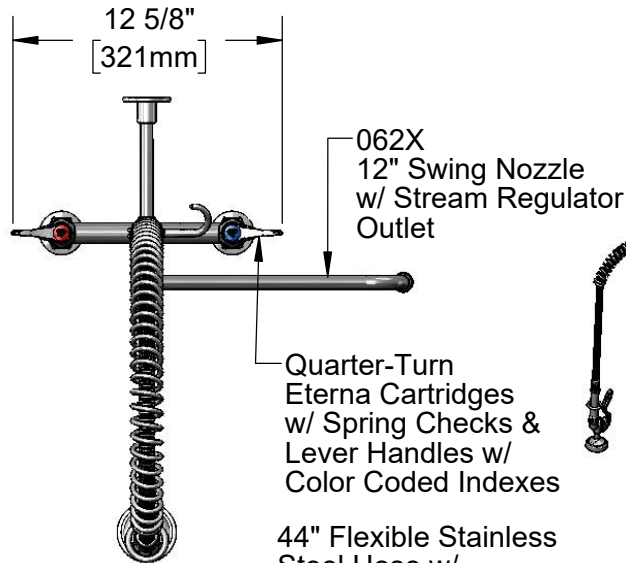
Job Name _____ Date _____

Model Specified _____ Quantity _____

Customer/Wholesaler _____

Contractor _____

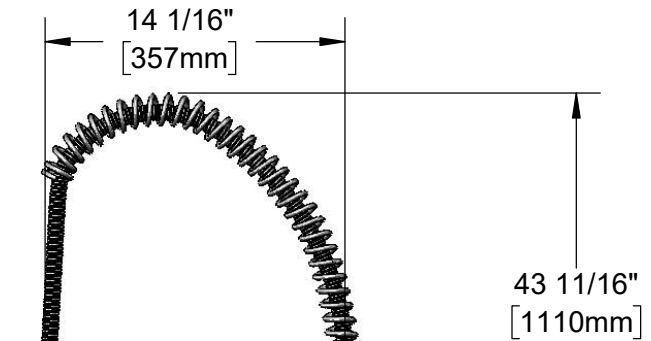
Architect/Engineer _____



062X
12" Swing Nozzle
w/ Stream Regulator
Outlet

Quarter-Turn
Eterna Cartridges
w/ Spring Checks &
Lever Handles w/
Color Coded Indexes

44" Flexible Stainless
Steel Hose w/
Spring & Spray Valve



43 11/16"
[1110mm]

Items Not Shown
For Clarity

Finger Hook

3/8" NPT x 18"
Riser

12"
[305mm]

B-0970-FEZ
3/8" NPT
EasyInstall
Vacuum
Breaker

18"
[457mm]

14 7/8"
[377mm]

5 3/16"
[131mm]

8"
[203mm]

Adjustable From
7 3/4" to 8 1/4"
[197mm to 210mm]

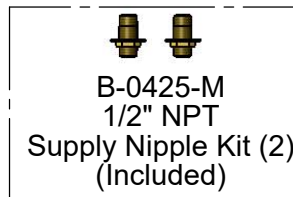
B-0107
Spray Valve
1.15 GPM

B-0109-01
6" Wall
Bracket

2 5/16"
[59mm]

Add-On Faucet w/
Quarter-Turn
Eterna Cartridge
& Lever Handle

Ø 2" [51mm]
Flanges w/
1/2" NPT
Female Inlets



B-0425-M
1/2" NPT
Supply Nipple Kit (2)
(Included)

Rough-In Requirement
(2) Ø 1" [25mm] Mounting Holes

Product Specifications:

EasyInstall Pre-Rinse Unit:

8" Deck Mount Mixing Faucet, Quarter-Turn Eterna Cartridges w/ Spring Checks, Lever Handle, Vacuum Breaker, Add-On Faucet w/ 12" Swing Nozzle, 18" Riser, 6" Wall Bracket, 44" Flexible Stainless Steel Hose, 1.15 GPM Spray Valve, 12" Swing Nozzle, & 1/2" NPT Female Inlets

Product Compliance:

ASME A112.18.1 / CSA B125.1
NSF 61 - Section 9
NSF 372 (Low Lead Content)
2019 DOE PRSV - Class II
CSA B64.8 (VB)



T&S BRASS AND BRONZE WORKS, INC.

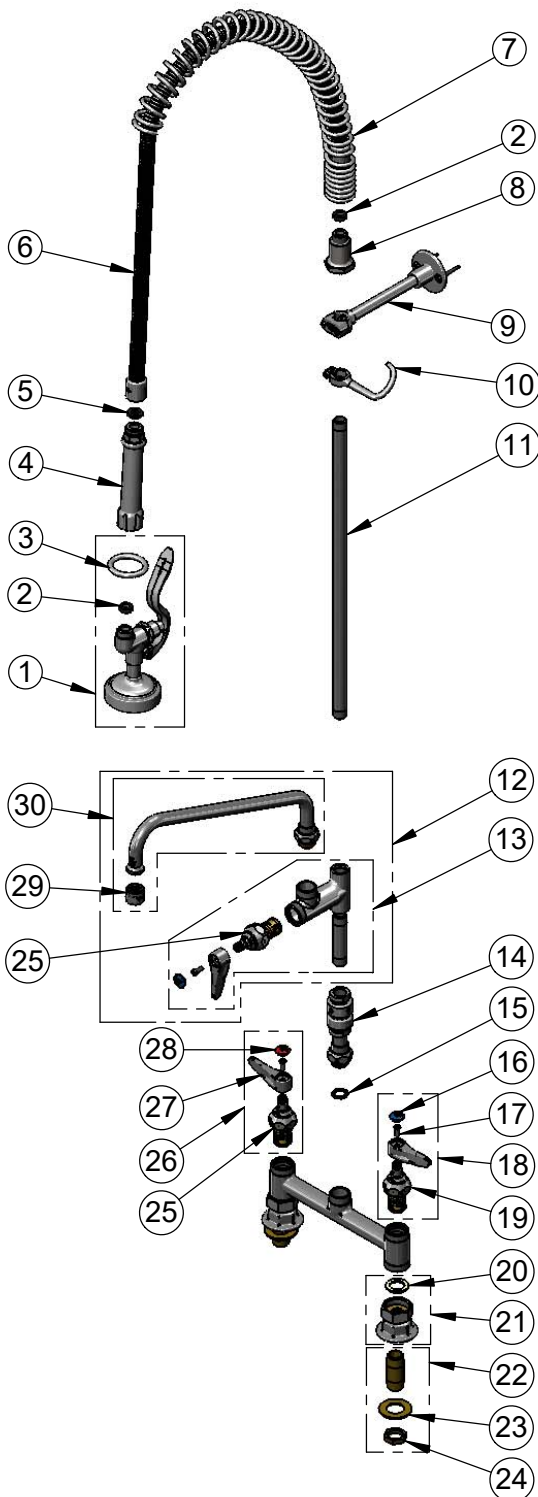
2 Saddleback Cove / P.O. Box 1088
Travelers Rest, SC 29690

Model No.

B-2277-01

Item No.

Travelers Rest, SC: 800-476-4103 • Simi Valley, CA: 800-423-0150 • Fax: 864-834-3518 • www.tsbrass.com



ITEM NO.	SALES NO.	DESCRIPTION
1	B-0107	1.15 GPM Spray Valve
2	010476-45	#27 Washer
3	000907-45	Spray Valve Hold Down Ring
4	002987-40	Gray Handle Grip
5	001014-45	Washer, B-0100 Hose Barrel
6	B-0044-H2A	44" Flexible Stainless Steel Hose (Less Handle)
7	000888-45	EasyInstall Overhead Spring
8	000821-40	Spring Body
9	B-0109-01	6" Wall Bracket
10	004R	Finger Hook
11	000369-40	3/8" NPT x 18" Riser
12	B-0156	Add-On Faucet w/ Quarter-Turn Eterna Cartridge & Lever Handle, 12" Swing Nozzle
13	B-0155-LN	Add-On Faucet w/ Quarter-Turn Eterna Cartridge & Lever Handle (Less Nozzle)
14	B-0970-FEZ	3/8" NPT EasyInstall Vacuum Breaker
15	014200-45	Star Washer, Anti-Rotation
16	018506-19NS	Blue Button Index, Press-in
17	000925-45	Lab Handle Screw
18	002711-40NS	Quarter-Turn Eterna Cartridge w/ Spring Check, Handle, Blue Index & Screw, LTC
19	012442-40NS	Quarter-Turn Eterna Cartridge w/ Spring Check, LTC
20	001019-45	Coupling Nut Washer
21	00AA	1/2" NPT Female Eccentric Flange
22	B-0425-M	1/2" NPT Supply Nipple Kit (2)
23	000999-45	Brass Lock Washer
24	002954-45	Shank Lock Nut
25	012443-40NS	Quarter-Turn Eterna Cartridge w/ Spring Check, RTC
26	002712-40NS	Quarter-Turn Eterna Cartridge w/ Spring Check, Handle, Red Index & Screw, RTC
27	001638-45NS	Lever Handle (New Style)
28	001193-19NS	Red Button Index, Press-in
29	B-PT	Stream Regulator Outlet
30	062X	12" Swing Nozzle

Product Specifications:

EasyInstall Pre-Rinse Unit:
8" Deck Mount Mixing Faucet, Quarter-Turn Eterna Cartridges w/ Spring Checks, Lever Handle, Vacuum Breaker, Add-On Faucet w/ 12" Swing Nozzle, 18" Riser, 6" Wall Bracket, 44" Flexible Stainless Steel Hose, 1.15 GPM Spray Valve, 12" Swing Nozzle, & 1/2" NPT Female Inlets

Product Compliance:

ASME A112.18.1 / CSA B125.1
NSF 61 - Section 9
NSF 372 (Low Lead Content)
2019 DOE PRSV - Class II
CSA B64.8 (VB)