



# Electronic Faucets

## EC-3100TMVHGF10



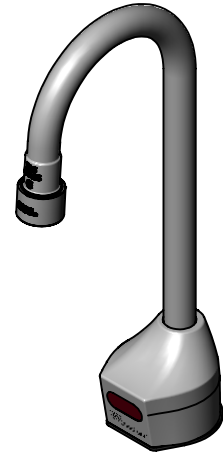
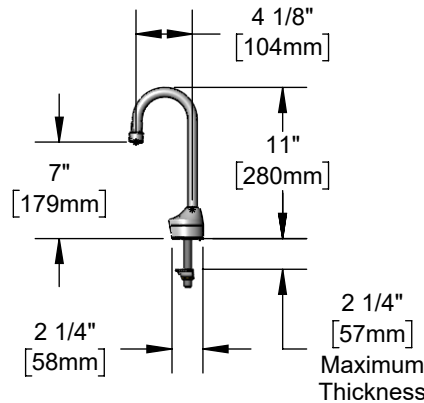
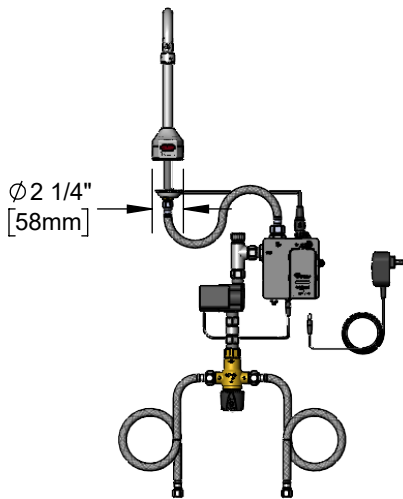
# Electronic Sensor Faucet

TAG: \_\_\_\_\_

### Architect/Engineering Specifications:

Single hole deck mount electronic sensor faucet with polished chrome plated brass body and 4 1/8" rigid gooseneck, 1.0 GPM vandal resistant aerator, AC/DC control module with internal flow control setting switches, temperature control mixing valve with check valves, hydro-generator power supply and 18" flexible stainless steel supply hoses with 3/8" compression connections. Certified to ASME A112.18.1/CSA B125.1, NSF 61-Section 9, NSF 372, UL 1951, EPA WaterSense and ASSE 1070. Meets ADA ANSI/ICC A117.1 requirements.

Job Name \_\_\_\_\_  
 Model Specified \_\_\_\_\_ Quantity \_\_\_\_\_  
 Variations Specified \_\_\_\_\_  
 Date \_\_\_\_\_



### Features & Benefits:

- Single hole deck mount faucet w/ polished chrome plated brass body
- 4 1/8" rigid gooseneck
- 1.0 GPM vandal resistant aerator, Series 6 (B-0199-06-F10)
- Water resistant control module w/ internal flow control switches for adjusting auto time out & shut off delay settings
- Optional auto flush feature flows water for 30 seconds after every 12 inactive hours
- Optional metering mode
- Hydro-generator power supply
- Plug in AC transformer or (4) AA batteries (DC) power options
- Thermostatic temperature control mixing valve w/ check valves
- Low battery LED indicator light
- 18" flexible stainless steel supply hoses w/ 3/8" compression connections
- Material: Polished chrome plated brass body & gooseneck

### Product Compliance:

- ASME A112.18.1 / CSA B125.1
- NSF 61 - Section 9
- NSF 372 (Low Lead Content)
- ANSI A117.1 (ADA)
- UL 1951
- ASSE 1070 (TMV)
- EPA WaterSense

**Warranty:** Three Year (Limited)

### Performance Data:

- Pressure: 20 - 125 psi [1.38 - 8.62 bar]
- Temperature: 40°F - 140°F [4.44°C - 60°C]
- Flow Rate: 1.0 GPM [3.8 L/min] @ 60 psi [4.14 bar]
- Water Consumption: @10 sec = .16 gal [.63 L]  
@15 sec = .25 gal [.95 L]



ADA Compliant



### Optional Outlets (Series 1 / VR Series 6)

GPM	Aerated	Non-Aerated (Laminar)	VR Aerated	VR Non-Aerated (VR Laminar)
0.35	N/A	<input type="checkbox"/> B-0199-01-N035	N/A	<input type="checkbox"/> B-0199-06-N035
0.5	N/A	<input type="checkbox"/> B-0199-01-N05	<input type="checkbox"/> B-0199-06-F05	<input type="checkbox"/> B-0199-06-N05
1.0	<input type="checkbox"/> B-0199-01-F10	N/A	Standard	N/A
1.2	<input type="checkbox"/> B-0199-01-F12	<input type="checkbox"/> B-0199-01-LF12	<input type="checkbox"/> B-0199-06-F12	<input type="checkbox"/> B-0199-06-LF12
1.5	<input type="checkbox"/> B-0199-01-WS	<input type="checkbox"/> B-0199-29	<input type="checkbox"/> B-0199-06-WS	<input type="checkbox"/> B-0199-29VR
2.2	<input type="checkbox"/> B-0199-01	<input type="checkbox"/> B-0199-21	<input type="checkbox"/> B-0199-06	<input type="checkbox"/> B-0199-21-VRF

### Optional Deck Plates

- 4" Chrome Plated Brass Deck Plate
- 8" Chrome Plated Brass Deck Plate



T&S BRASS AND BRONZE WORKS, INC.



• 2 Saddleback Cove • Travelers Rest, SC 29690  
 Ph 800-476-4103 • Fax 864-834-3518  
 • Simi Valley, CA • Ph 800-423-0150 • www.tsbrass.com

Date: 07/07/23