



Swivel Sink and Pantry Faucets

TAG:

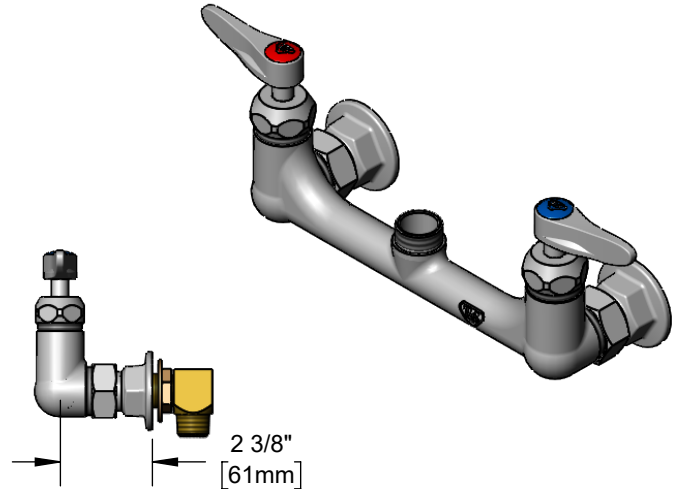
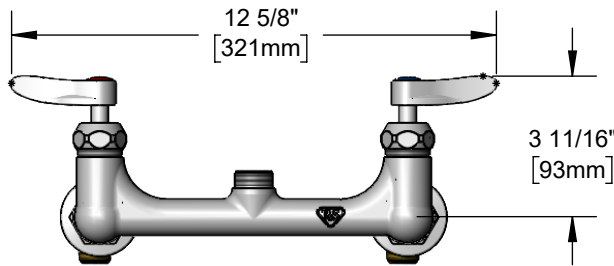
B-0230-CR-LN-KIT

Double Pantry Faucet

Architect/Engineering Specifications:

8" wall mount mixing faucet with polished chrome plated brass body, swivel outlet (less nozzle), ceramic cartridges with check valves, lever handles, installation kit with 1/2" NPT male inlets and (2) 24" flexible stainless steel hoses. Certified to ASME A112.18.1/CSA B125.1, NSF 61-Section 9 and NSF 372. Meets ADA ANSI/ICC A117.1 requirements.

Job Name _____
 Model Specified _____ Quantity _____
 Variations Specified _____
 Date _____



Features & Benefits:

- 8" wall mount mixing faucet with polished chrome plated brass body
- Swivel outlet accepts T&S swing nozzles
- Lock washer provided for rigid application
- Quarter-turn Cerama cartridges w/ check valves to prevent cross flow of water
- Lever handle w/ color coded indexes
- 1/2" NPT female eccentric inlets w/ Ø 2" flanges
- 1/2" NPT male elbow installation kit w/ (2) 24" flexible stainless steel hoses
- Adjustable centers from 7 3/4" to 8 1/4"
- Material: Polished chrome plated brass body and chrome plated metal handles

Product Compliance:

- ASME A112.18.1 / CSA B125.1
- NSF 61 - Section 9
- NSF 372 (Low Lead Content)
- ANSI A117.1 (ADA)



Warranty: One Year (Limited)

- Cerama Cartridge: Lifetime (Limited)

Performance Data:

- Pressure: 20 - 125 psi [1.38 - 8.62 bar]
 - Temperature: 40°F - 180°F [4.44°C - 60°C]
 - Flow Rate: 14.53 GPM [55.0 L/min] @ 60 psi [4.14 bar]
- (Outlet Device &/or Final Configuration May Reduce Flow Rate)



T&S Swing Nozzles

- 059X 6" Swing Nozzle
- 060X 8" Swing Nozzle
- 061X 10" Swing Nozzle
- 062X 12" Swing Nozzle
- 063X 14" Swing Nozzle
- 064X 16" Swing Nozzle
- 065X 18" Swing Nozzle
- 066X 12" Double Joint Swing Nozzle
- 067X 15" Double Joint Swing Nozzle
- 068X 18" Double Joint Swing Nozzle
- 069X 24" Double Joint Swing Nozzle

| GPM | Aerated | Non-Aerated (Laminar) | VR Aerated | VR Non-Aerated (VR Laminar) |
|------|--|---|--|---|
| 0.35 | N/A | <input type="checkbox"/> B-0199-01-N035 | N/A | <input type="checkbox"/> B-0199-06-N035 |
| 0.5 | N/A | <input type="checkbox"/> B-0199-01-N05 | N/A | <input type="checkbox"/> B-0199-06-N05 |
| 1.0 | <input type="checkbox"/> B-0199-01-F10 | N/A | <input type="checkbox"/> B-0199-06-F10 | N/A |
| 1.2 | <input type="checkbox"/> B-0199-01-F12 | <input type="checkbox"/> B-0199-01-LF12 | <input type="checkbox"/> B-0199-06-F12 | <input type="checkbox"/> B-0199-06-LF12 |
| 1.5 | <input type="checkbox"/> B-0199-01-WS | <input type="checkbox"/> B-0199-29 | <input type="checkbox"/> B-0199-06-WS | <input type="checkbox"/> B-0199-29VR |
| 2.2 | <input type="checkbox"/> B-0199-01 | <input type="checkbox"/> B-0199-21 | <input type="checkbox"/> B-0199-06 | <input type="checkbox"/> B-0199-21-VRF |

Optional Outlets (Series 1 / VR Series 6)

T&S Swivel Goosenecks (D x K)

- 131X 2 13/16" x 2 9/16" Swivel Gooseneck
- 132X 2 5/8" x 5 7/16" Swivel Gooseneck
- 133X 5 11/16" x 6 1/4" Swivel Gooseneck
- 135X 8 3/4" x 5 5/8" Swivel Gooseneck

Optional Handles

- 4" Wrist Action
- Lever (Standard)
- 4-Arm

Optional Cartridges With Checks

- Quarter-Turn Cerama w/ Check Valve (Standard)
- Quarter-Turn Eterna w/ Spring Check



T&S BRASS AND BRONZE WORKS, INC.



• 2 Saddleback Cove • Travelers Rest, SC 29690
 Ph 800-476-4103 • Fax 864-834-3518
 • Simi Valley, CA • Ph 800-423-0150 • www.tsbrass.com

Date: 06/11/23