



Stainless Steel Retractable Hose Reel

B-7102-01M-STB

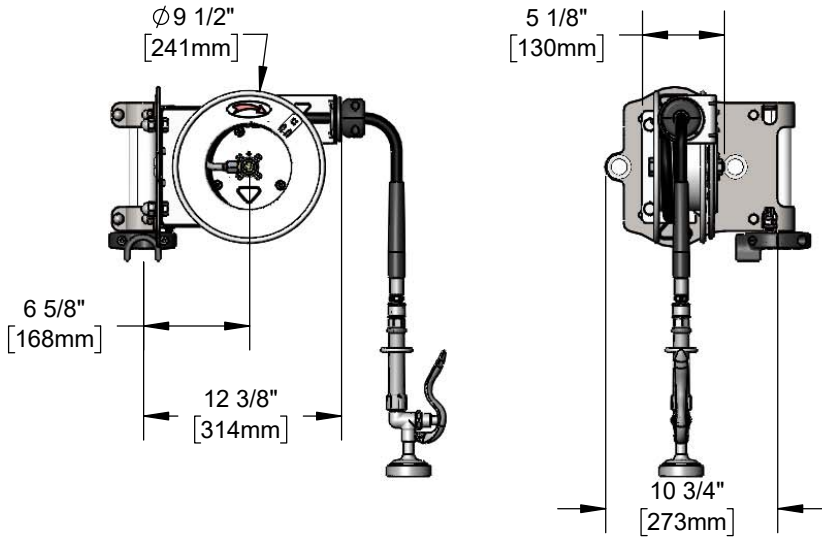
TAG:

Open Stainless Steel Hose Reel

Architect/Engineering Specifications:

Open stainless steel hose reel, 1.15 GPM spray valve with swivel, 3/8" x 12' hose, ratcheting system, multi-fit bracket, adjustable hose bumper, 3/8" NPT female inlet and table leg hose reel swing bracket.

Job Name _____
 Model Specified _____ Quantity _____
 Variations Specified _____
 Date _____



Features & Benefits:

- Open stainless steel hose reel
- 1.15 GPM spray valve w/ swivel
- 3/8" x 12' hose rated to 300 PSI
- Ratcheting system holds the length of hose until a slight tug to retract automatically
- 3/8" NPT female inlet
- Adjustable hose bumper
- Multi-fit bracket for wall, ceiling or under counter mounting
- Table leg hose reel swing bracket
- Material: Stainless steel open reel, wall bracket and hose reel swing bracket & polished chrome brass plated spray valve

Product Compliance:

- NSF 61 Exempt (Non-Potable)
- 2019 DOE PRSV - Class II

Warranty: Two Year (Limited)

- Hose: One Year (Limited)

Performance Data:

- Air/Water Pressure: 20 - 125 psi [1.38 - 8.62 bar]
- Temperature: 40 °F - 140 °F [4.44 °C - 60 °C]
- Flow Rate: 1.15 GPM [4.35 L/min] @ 60 psi [4.14 bar]

Optional Hose Reel Spray Valves

- B-0107 Med Flow Spray Valve (Standard)
- B-0108 Ergonomic Medium Flow Spray Valve
- B-0108-H Ergonomic High Flow Spray Valve
- EB-0107 High Flow Spray Valve

Optional Hose Reel Multi-Fit Brackets

1/4", 3/8", & 1/2" Hose Reel

- G019430-45 EasyInstall Stainless Steel Swing Bracket
- G016652-45 Deck Mount Pivot Bracket



T&S BRASS AND BRONZE WORKS, INC.



• 2 Saddleback Cove • Travelers Rest, SC 29690
 Ph 800-476-4103 • Fax 864-834-3518
 • Simi Valley, CA • Ph 800-423-0150 • www.tsbrass.com

Date: 06/11/21