



T&S BRASS AND BRONZE WORKS, INC.
 2 Saddleback Cove / P.O. Box 1088
 Travelers Rest, SC 29690

Model No.
S-1141-04

Item No.

Travelers Rest, SC: 800-476-4103 • Simi Valley, CA: 800-423-0150 • Fax: 864-834-3518 • www.tsbrass.com

EVERSTEEL



ADA Compliant

This Space for Architect/Engineer Approval

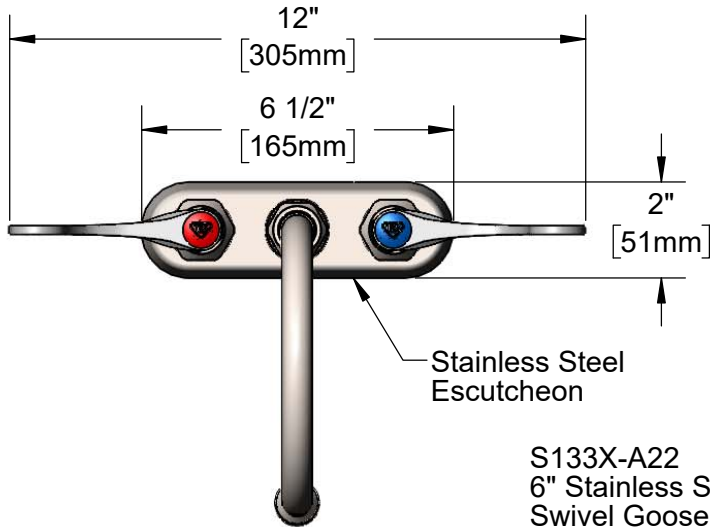
Job Name _____ Date _____

Model Specified _____ Quantity _____

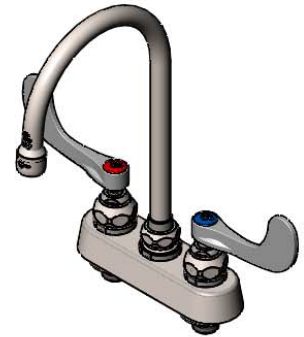
Customer/Wholesaler _____

Contractor _____

Architect/Engineer _____



Stainless Steel Escutcheon



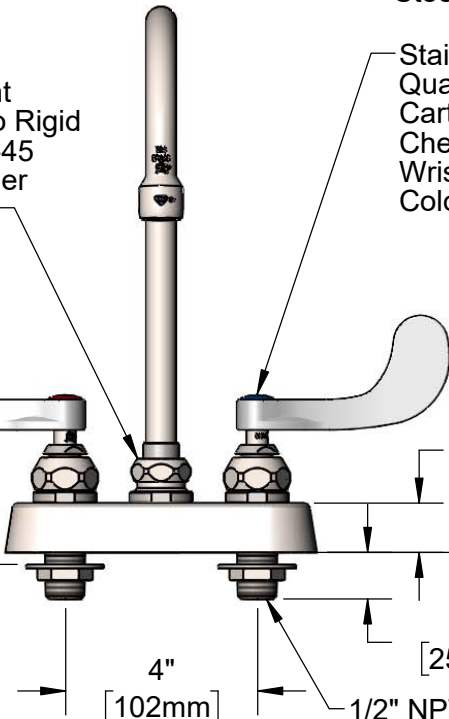
S133X-A22
 6" Stainless Steel Swivel Gooseneck w/ 2.2 GPM Stainless Steel Aerator

Swivel Joint Converts to Rigid w/ 014200-45 Lock Washer (Included)

Stainless Steel Quarter-Turn Eterna Cartridges w/ Spring Checks & Stainless Steel Wrist Action Handles w/ Color Coded Indexes

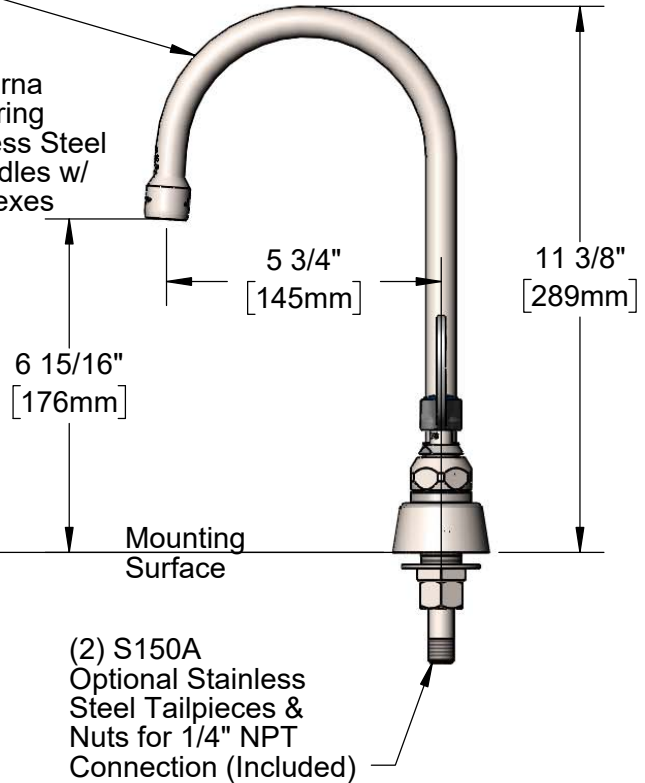
4 15/16" [125mm]

1/4" [6mm] Maximum Thickness



1" [26mm]

4" [102mm] 1/2" NPT Stainless Steel Male Inlets



Mounting Surface

(2) S150A Optional Stainless Steel Tailpieces & Nuts for 1/4" NPT Connection (Included)

Rough-In Requirement:
 (2) \varnothing 1" [25mm] Mounting Holes

Product Specifications:

4" Stainless Steel Deck Mount Workboard Faucet, Stainless Steel Quarter-Turn Eterna Cartridges w/ Spring Checks, 4" Stainless Steel Wrist Action Handles, 6" Stainless Steel Swivel Gooseneck, 2.2 GPM Stainless Steel Aerator & 1/2" NPT Stainless Steel Male Inlets

Product Compliance:

ASME A112.18.1 / CSA B125.1
 NSF 61 - Section 9
 NSF 372 (Low Lead Content)
 ANSI A117.1 (ADA)



T&S BRASS AND BRONZE WORKS, INC.

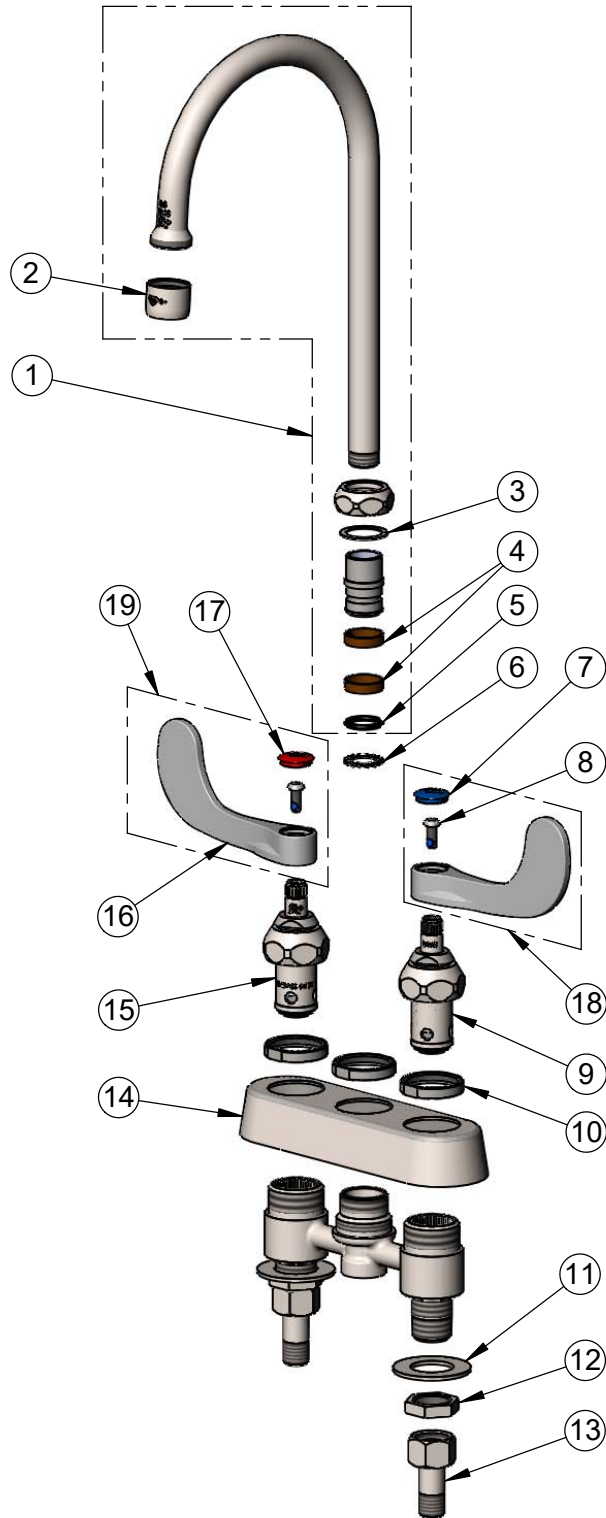
2 Saddleback Cove / P.O. Box 1088
Travelers Rest, SC 29690

Model No.

S-1141-04

Item No.

Travelers Rest, SC: 800-476-4103 • Simi Valley, CA: 800-423-0150 • Fax: 864-834-3518 • www.tsbrass.com



| ITEM NO. | SALES NO. | DESCRIPTION |
|----------|--------------|---|
| 1 | S133X-A22 | 6" SS Swivel Gooseneck w/ 2.2 GPM SS Aerator |
| 2 | S-0199-01 | 2.2 GPM SS Aerator, 55/64-27 UN Female |
| 3 | 009538-45 | Swivel Washer |
| 4 | 011429-45 | Swivel Sleeves (2) |
| 5 | 001074-45 | O-Ring |
| 6 | 014200-45 | Star Washer, Anti-Rotation |
| 7 | 018506-19NS | Blue Button Index, Press-in |
| 8 | 000925-45 | Lab Handle Screw |
| 9 | S012442-30NS | SS Quarter-Turn New Style Eterna Cartridge w/ Spring Check, LTC |
| 10 | S019376-30 | Escutcheon Lock Nut |
| 11 | S000999-20 | Stainless Steel Lock Washer |
| 12 | S002954-20 | Stainless Steel Shank Lock Nut |
| 13 | S150A | 1/4" NPT Stainless Steel Tailpiece & Nut |
| 14 | S019374-30 | S-1110 Stainless Steel Workboard Escutcheon |
| 15 | S012443-30NS | SS Quarter-Turn New Style Eterna Cartridge w/ Spring Check, RTC |
| 16 | S-WH4-NS | SS Wrist Action Handle (New Style) |
| 17 | 001193-19NS | Red Button Index, Press-in |
| 18 | S-WH4C-NS | SS Wrist Action Handle, Blue Index & Screw |
| 19 | S-WH4H-NS | SS Wrist Action Handle, Red Index & Screw |

Product Specifications:

4" Stainless Steel Deck Mount Workboard Faucet, Stainless Steel Quarter-Turn Eterna Cartridges w/ Spring Checks, 4" Stainless Steel Wrist Action Handles, 6" Stainless Steel Swivel Gooseneck, 2.2 GPM Stainless Steel Aerator & 1/2" NPT Stainless Steel Male Inlets

Product Compliance:

ASME A112.18.1 / CSA B125.1
NSF 61 - Section 9
NSF 372 (Low Lead Content)
ANSI A117.1 (ADA)